

Excellent & Advanced

VP-700 Series

Diaphragm Valves 隔膜閥

- VP-710
Diaphragm Valve (Flanged)
法蘭式隔膜閥
- VP-720, 730
Diaphragm Valve
(Spigot, Union - Socket / Threaded)
插管式 / 由令式隔膜閥



VP-710 法蘭式隔膜閥

Diaphragm Valve (Flanged)

- Pressure rating: 1/2"~3" 150 PSI, 4"~6" 72 PSI, 8" 43 PSI @73.4°F(23°C)

(Working pressure is varified by diaphragm material and working temperature.)

- Smooth operation with clear indication of opening / closing through the gauge cover
- Low maintenance cost with replaceable diaphragm and long service life
- Adjustable stopper can avoid over tightness.
- Alternative material for stem and sleeve: SUS 304 / 316
- 工作壓力：1/2"~3" 150 PSI, 4"~6" 72 PSI, 8" 43PSI @73.4°F(23°C)
(因DIAPHRAGM之材質、工作溫度不同而壓力會不同)
- 關閉程度可清楚於透明罩上顯示
- 膜片可替換，保養管理容易
- 可調整的阻擋螺帽設計，可以防止關閉時手輪之壓力過當
- 法蘭片底部有平面設計，便於安裝及放置
- 中心柱及套筒可選用 SUS 304 / 316 材質

Type 品號	Size 尺寸	Standard 規格	Material 材質	Gasket 墊片	O-ring O環	Diaphragm 隔膜片	End type 接口	Bolt 螺栓
VP-710	1/2"~8"	ANSI, JIS, DIN	UPVC	EPDM	NBR	EPDM, FPM, PTFE	Flanged	SUS 304 / 316
VP-711	1/2"~8"	ANSI, JIS, DIN	CPVC	EPDM	NBR	EPDM, FPM, PTFE	Flanged	SUS 304 / 316
VP-713	1/2"~8"	ANSI, JIS, DIN	PVDF	EPDM	NBR	EPDM, FPM, PTFE	Flanged	SUS 304 / 316
VP-714	1/2"~8"	ANSI, JIS, DIN	PP	EPDM	NBR	EPDM, FPM, PTFE	Flanged	SUS 304 / 316



Caution!

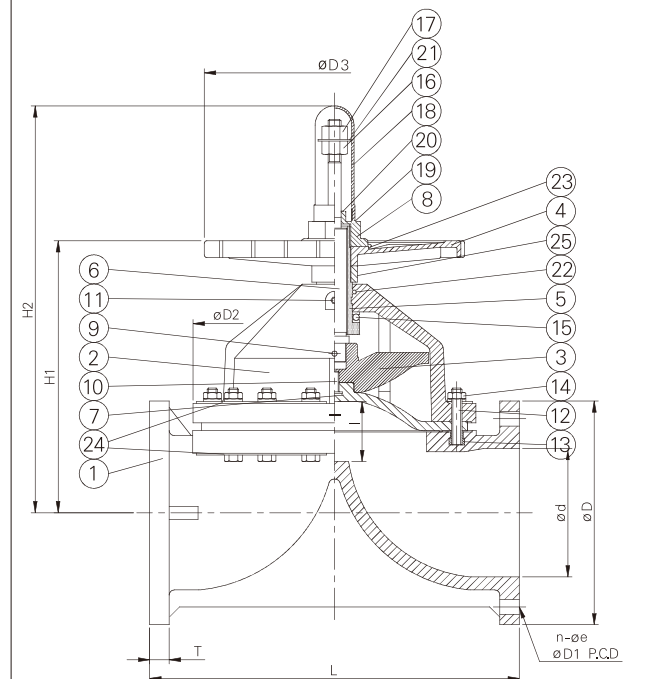
- (1) After installed, should inspect the set nut and stopper (above the stem) frequently, to make sure the nuts are tight.
- (2) The valve is completely closed when handwheel can't turn more with normal torque, but it will cause the unrecoverable divulsion of diaphragm if the handwheel is continuously forced to turn in such above condition!

注意!

- (1) 安裝使用中，應常檢視中心柱上端開度指示螺帽組需保持無鬆動狀態
- (2) 手輪正常旋緊至無法繼續時即代表閥門已完全關閉，切勿再強迫旋轉，以免造成無法修復之膜片撕裂現象！

Nom.	SIZE	15mm	20mm	25mm	40mm	50mm	65mm	80mm	100mm	125mm	150mm	200mm
		(1/2")	(3/4")	(1")	(1-1/2")	(2")	(2-1/2")	(3")	(4")	(5")	(6")	(8")
JIS	D	95	100	125	140	155	175	185	210	250	291	343
	D1	70	75	90	105	120	140	150	175	210	240	290
	n-øe	4-ø15	4-ø15	4-ø19	4-ø19	4-ø19	4-ø19	8-ø19	8-ø19	8-ø23	8-ø23	12-ø23
	L	110	120	130	180	210	250	280	340	410	480	570
ANSI	D	89	98	108	127	152	178	191	229	250	291	343
	D1	61	70	79	98	121	140	152	191	216	241	299
	n-øe	4-ø16	4-ø16	4-ø16	4-ø16	4-ø19	4-ø19	4-ø19	8-ø19	8-ø23	8-ø23	8-ø23
	L	108	150	150	176	202	250	264	329	410	480	570
DIN	D	95	105	115	150	165	185	200	220	250	291	343
	D1	65	75	85	110	125	145	160	180	210	240	295
	n-øe	4-ø14	4-ø14	4-ø14	4-ø18	4-ø18	4-ø18	8-ø18	8-ø18	8-ø18	8-ø22	8-ø22
	L	130	150	160	200	230	290	310	350	410	480	570
JIS	UPVC, CPVC	12	13	13	16	20	22	22	22	24	25	30
	PP, PVDF	12	13	13	16	20	23	22	22	25	25	30
ANSI T	UPVC, CPVC	13	15	13	17	17	20	20	22	24	25	30
	PP, PVDF	13	15	13	18	18	21	20	22	25	25	30
DIN	UPVC, CPVC	20	20	20	20	22	22	24	24	24	25	30
	PP, PVDF	20	20	20	20	22	22	24	24	25	25	30
D2	54×70	63×78	63×88	125	148	182	203	255	330	392	432	
D3	95	95	110	150	150	210	210	250	405	405	405	
d	13	18	25	41	52	67	78	100	125	148	198	
H1	85	94	98	130	148	189	250	275	334	334	450	
H2	130	137	160	200	225	268	343	383	476	476	627	
I	10	12	15	22	31	39	48	60	70	70	95	

NO	PART	MATERIAL	Q'TY
1	BODY 本體	UPVC, CPVC, PVDF, PP	1
2	BONNET 上蓋	UPVC, CPVC, PVDF, PP, PP+GF	1
3	COMPRESSOR 壓縮體	PP+GF, PVDF	1
4	HANDWHEEL 把手輪	PP	1
5	SLEEVE 中心套筒	C3602, SUS	1
6	STEM 中心柱	C3602, SUS	1
7	DIAPHRAGM 隔膜片	EPDM, FPM, PTFE	1
8	CAP 迫緊螺帽	UPVC, CPVC, PVDF, PP, PP+GF	1
9	COMPRESSOR PIN 彈簧銷	SUS304	1
10	INSERTED METAL 膜片螺絲	C3602, SUS	1
11	GREASE NIPPLE 黃油嘴	C3602 2-1/2"~8"	1
12	BOLT&WASHER 螺絲組	SUS304, SUS316	1/2"~3/4"----4 SET 1"~2"-----6 SET
13	INSERTED NUT 本體埋銅	C3602, SUS304 SUS316	2-1/2"~4"---8 SET 6"-----12 SET
14	NUT&WASHER 螺帽組	SUS304, SUS316	8"-----16 SET
15	THRUST RING & BEARING 薄片&止推軸承	PTFE 1-1/2"~3", SUS 4"~8"	1
16	STOPPER 阻擋螺帽	SUS304	1
17	SET NUT 固定螺帽	SUS304	1
18	GAUGE COVER 透明罩	AS	1
19	SHEET GASKET 墊片	EPDM	1
20	SHEET RING 中心平華司	SUS304	1
21	INDICATIVE WASHER 指示華司	ABS	1
22	O-RING 上蓋O環	NBR	1
23	NAME PLATE 銘牌	UPVC	1
24	PRESSURE PLATE 壓板	SUS304	1~6
25	CASING 套管	UPVC, CPVC, PVDF, PP 8" only	1



VP-720.730 Diaphragm Valve 插管式/由令式隔膜閥 (Spigot, Union – Socket / Threaded)

- Pressure rating: 100 PSI @73.4°F (23°C)
- Smooth operation with clear indication of opening / closing through the gauge cover.
- Low maintenance cost with replaceable diaphragm and long service life
- Adjustable stopper can avoid over tightening
- Alternative material for stem and sleeve: SUS 304 / 316
- 工作壓力：100 PSI @73.4°F (23°C)
- 關閉程度可清楚於透明罩上顯示
- 膜片可替換，保養管理容易
- 可調整的阻擋螺帽設計，可以防止關閉時手輪之壓力過當
- 底端埋有銅柱，易於固定
- 中心柱及套筒可選用 SUS 304 / 316 材質

Type 品號	Size 尺寸	Standard 規格	Material 材質	Gasket 墊座	O-ring O環	Diaphragm 隔膜片	End type 接口	Bolt 螺栓
VP-720	1/2"~2"	DIN	UPVC	EPDM	NBR	EPDM, FPM, PTFE	Spigot	SUS 304 / 316
VP-721	1/2"~2"	DIN	CPVC	EPDM	NBR	EPDM, FPM, PTFE	Spigot	SUS 304 / 316
VP-723	1/2"~2"	DIN	PVDF	EPDM	NBR	EPDM, FPM, PTFE	Spigot	SUS 304 / 316
VP-724	1/2"~2"	DIN	PP	EPDM	NBR	EPDM, FPM, PTFE	Spigot	SUS 304 / 316
VP-730	1/2"~2"	ANSI, JIS, DIN, BS	UPVC	EPDM	NBR / EPDM, FPM	EPDM, FPM, PTFE	Socket, Threaded	SUS 304 / 316
VP-731	1/2"~2"	ANSI, JIS, DIN, BS	CPVC	EPDM	NBR / EPDM, FPM	EPDM, FPM, PTFE	Socket, Threaded	SUS 304 / 316
VP-733	1/2"~2"	ANSI, JIS, DIN, BS	PVDF	EPDM	NBR / EPDM, FPM	EPDM, FPM, PTFE	Socket, Threaded	SUS 304 / 316
VP-734	1/2"~2"	ANSI, JIS, DIN, BS	PP	EPDM	NBR / EPDM, FPM	EPDM, FPM, PTFE	Socket, Threaded	SUS 304 / 316



Caution!

- (1) After installed, should inspect the set nut and stopper (above the stem) frequently, to make sure the nuts are tight.
- (2) The valve is completely closed when handwheel can't turn more with normal torque, but it will cause the unrecoverable divulsion of diaphragm if the handwheel is continuously forced to turn in such above condition!

注意!

- (1) 安裝使用中，應常檢視中心柱上端開度指示螺帽組需保持無鬆動狀態
- (2) 手輪正常旋緊至無法繼續時即代表閥門已完全關閉，切勿再強迫旋轉避免造成無法修復之膜片撕裂現象！

Nom.	SIZE	15mm (1/2")	20mm (3/4")	25mm (1")	40mm (1-1/2")	50mm (2")
JIS	d1	22.3	26.3	32.33	48.46	60.56
	d2	21.7	25.7	31.67	47.54	59.44
	I	22.22	25.4	28.58	34.93	38.1
ANSI	d1	21.54	26.87	33.65	48.56	60.63
	d2	21.23	26.57	33.27	48.11	60.17
	I	22.22	25.4	28.58	34.93	38.1
DIN	d1	20.3	25.3	32.3	50.3	63.3
	d2	19.9	24.9	31.9	49.9	62.9
	I	16	19	22	31	38
BS	d1	21.7	27.15	33.95	48.65	60.75
	d2	21	26.35	33.15	47.85	59.95
	I	22.22	25.4	28.58	34.93	38.1
thd./in	NPT	14	14	11.5	11.5	11.5
	BSPT	14	14	11	11	11
D		46	55	66	97	120
D1		31	37	44	64	78
D2		95	95	110	150	150
d3		20	25	32	50	63
L2		130	150	160	203	230
L1		180	207	227	281	317
L		124	144	154	194	224
H2		128	138	144	220	225
H1		86	95	98	150	148
I1	PVC	16	19	22	31	34
	PP,PVDF	14.5	16	18	23.5	27.5
S		11	11	11	15	15
F		25	25	25	45	45
M		M6	M6	M6	M8	M8

NO	PART	MATERIAL	Q'TY
1	BODY 本體	UPVC,CPVC,PVDF,PP	1
2	BONNET 上蓋	UPVC,CPVC,PVDF,PP,PP+GF	1
3	COMPRESSOR 壓縮體	PP+GF,PVDF	1
4	HANDWHEEL 把手輪	PP	1
5	SLEEVE 中心套筒	C3602,SUS	1
6	STEM 中心柱	C3602,SUS	1
7	DIAPHRAGM 隔膜片	EPDM,FPM,PTFE	1
8	CAP 迫緊螺帽	UPVC,CPVC,PVDF,PP,PP+GF	1
9	COMPRESSOR PIN 彈簧銷	SUS304	1
10	INSERTED METAL 膜片螺絲	C3602,SUS	1
12	BOLT&WASHER 螺絲組	SUS304,SUS316	1/2"-3/4"-----4 SET
13	INSERTED NUT 本體埋銅	C3602,SUS304 SUS316	1"-2"-----6 SET
14	NUT&WASHER 螺帽組	SUS304,SUS316	
15	THRUST RING 薄片	PTFE 1-1/2"~2"	1
16	STOPPER 阻擋螺帽	SUS304	1
17	SET NUT 固定螺帽	SUS304	1
18	GAUGE COVER 透明罩	AS	1
19	SHEET GASKET 墊片	EPDM	1
20	SHEET RING 中心平華司	SUS304	1
21	INDICATIVE WASHER 指示華司	ABS	1
22	O-RING 上蓋O環	NBR	1
23	NAME PLATE 銘牌	UPVC	1
24	PRESSURE PLATE 壓板	SUS304	1~2
26	O-RING 由令O環	UPVC,CPVC,PVDF,PP	2
27	END CONNECTOR 外特普	UPVC,CPVC,PVDF,PP	2
28	UNION NUT 螺帽	UPVC,CPVC,PVDF,PP	2

