

# Excellent & Advanced

## VP-400 Series

### Check Valves 逆止閥

- VP-420  
Economy Swing Check Valve  
經濟型擺動式逆止閥
- VP-430  
Economy Swing Check Foot Valve  
經濟型擺動式終端逆止閥
- VP-440  
True Union Ball Check Valve  
雙由令球型逆止閥
- VP-450  
Swing Check Valve  
工業用擺動式逆止閥
- VP-460  
Ball Check Valve  
單由令球型逆止閥
- VP-470  
Ball Check Foot Valve  
單由令球型終端逆止閥
- VP-480  
In-Line Spring Check Valve  
彈簧式逆止閥
- VP-490  
In-Line Spring Check Foot Valve  
彈簧式終端逆止閥



# VP-420 .430 經濟型擺動式（終端）逆止閥

## Economy Swing Check (Foot) Valve

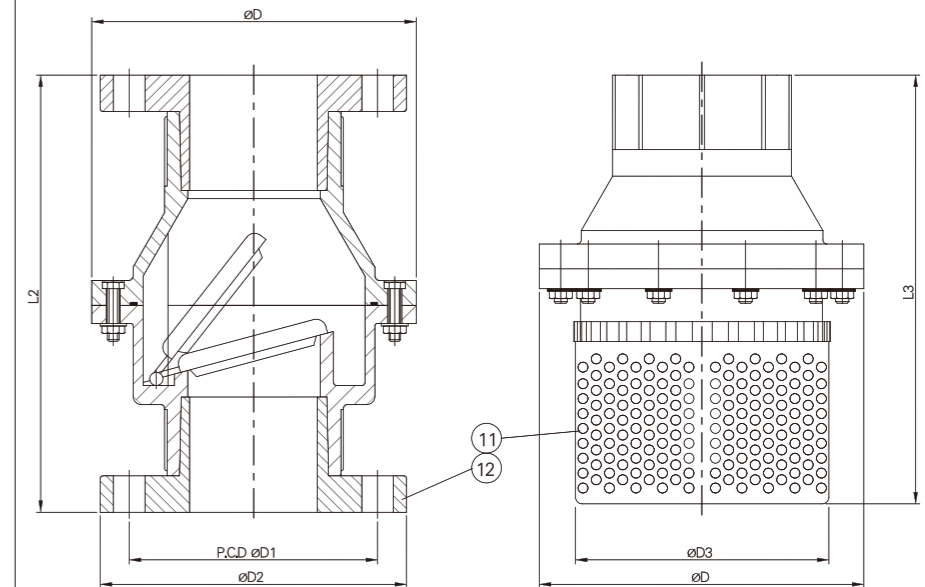
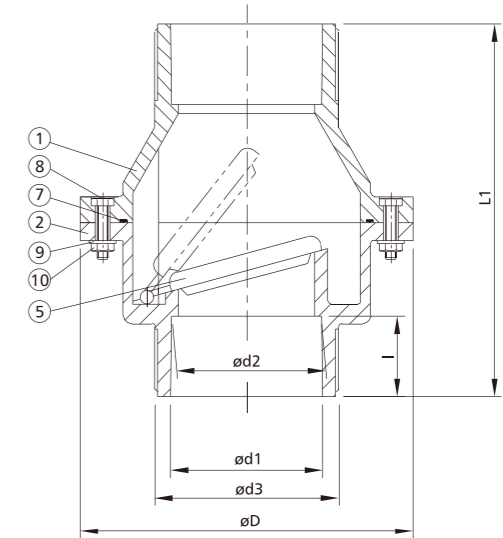
- With arrow to mark the direction of flow, and to be installed according to flow direction.
- Vertical installation: the arrow should be installed upward.
- Horizontal installation: the arrow mark should be shown on top to indicate the flow direction.
- 箭頭標示水流方向，請依實際水流方向安裝
- 垂直裝配時指示箭頭方向朝上安裝
- 水平裝配時指示箭頭位置必須位在正上方

Type 品號	Size 尺寸	Standard 規格	Material 材質	Disc 閘門	O-ring O環	End type 接口
VP-420	3"~4"	ANSI, JIS, DIN	UPVC	EPDM, FPM	EPDM, FPM	Socket, Threaded, Flanged
VP-430	3"~4"	ANSI, JIS, DIN	UPVC	EPDM, FPM	EPDM, FPM	Socket, Threaded, Flanged



NO.	PART	MATERIAL	Q'TY
1	UPPER BODY 上本體	UPVC	1
2	LOWER BODY 下本體	UPVC	1
5	DISC 閘門	EPDM, FPM	1
7	O-RING 本體O環	EPDM, FPM	1
8	BOLT 螺絲	SUS 304	10
9	WASHER 平華司	SUS 304	10
10	NUT 螺帽	SUS 304	10
11	FILTER 濾網	UPVC	1
12	FLANCE 法蘭片	UPVC	2

Nom.	SIZE	80mm (3")		100mm (4")	
JIS	D1	150	175		
	d1	89.6	114.7		
	d2	88.83	113.77		
	I	47.63	57.15		
ANSI	D1	152	191		
	d1 UPVC	89.31	114.76		
	d1 CPVC	89.28	114.73		
	d2 UPVC	88.7	114.1		
DIN	d2 CPVC	88.67	114.04		
	I	47.63	57.15		
	d1	90.5	110.6		
	d2	89.9	109.9		
thd./in	I	51	61		
	NPT	8	8		
D	BSPT	11	11		
		196	210		
D2		185	210		
D3		153	153		
d3		108	133		
L1		221	271		
L2		260	300		
L3		275	320		



# VP-440 雙由令球型逆止閥

## True Union Ball Check Valve

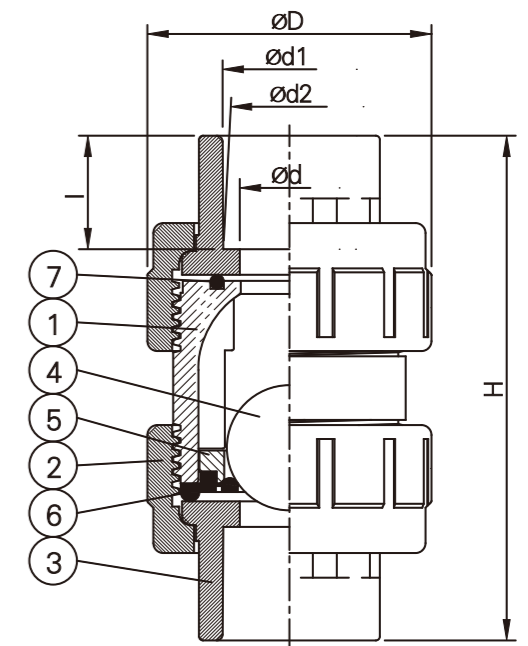
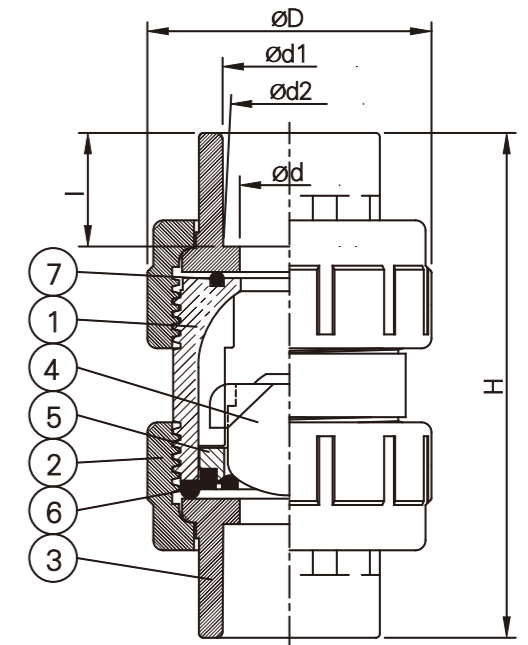
- Pressure rating: 150 PSI @73.4°F (23°C)
- Minimum flow pressure: 5 PSI
- Vertically installed, the arrow mark should be upward.
- True union end type
- Easy maintenance
- Ball sealing design, and to be able to seal hermetically.
- 工作壓力：150 PSI @73.4°F (23°C)
- 最低開啓壓力：5 PSI
- 依流向箭頭指示垂直安裝
- 球體逆止設計，密閉性佳

Type 品號	Size 尺寸	Standard 規格	Material 材質	Seal 止逆座	O-ring O環	End type 接口
VP-440	1/2"~2"	ANSI, JIS, DIN	UPVC	EPDM, FPM, NBR	EPDM, FPM	Socket, Threaded
VP-441	1/2"~2"	ANSI, JIS, DIN	CPVC	EPDM, FPM, NBR	EPDM, FPM	Socket, Threaded
VP-443	1/2"~2"	ANSI, JIS, DIN	PVDF	EPDM, FPM, NBR	EPDM, FPM	Socket, Threaded
VP-444	1/2"~2"	ANSI, JIS, DIN	PP	EPDM, FPM, NBR	EPDM, FPM	Socket, Threaded



Nom.	SIZE	15mm	20mm	25mm	32mm	40mm	50mm
		(1/2")	(3/4")	(1")	(1-1/4")	(1-1/2")	(2")
JIS	d1	22.3	26.3	32.33	38.6	48.46	60.56
	d2	21.7	25.7	31.67	37.67	47.54	59.44
	I	22.2	25.4	28.6	31.75	34.9	38.1
ANSI	d1	21.45	26.87	33.65	42.42	48.56	60.63
	d2	21.23	26.57	33.27	42.04	48.11	60.17
	I	22.22	25.4	28.58	31.75	34.93	38.1
DIN	d1	20.3	25.3	32.3	40.3	50.3	63.3
	d2	19.9	24.9	31.9	39.9	49.9	62.9
	I	16	19	22	26	31	38
thd./in	NPT	14	14	11.5	11.5	11.5	11.5
	BSPT	14	14	11	11	11	11
D		50	62	72	97	97	107
d		13	20	25	31.5	41	50
H		96	112	127	159	159	185

NO.	PART	MATERIAL	Q'TY
1	BODY 本體	UPVC, CPVC, PP, PVDF	1
2	UNION NUT 螺帽	UPVC, CPVC, PP, PVDF	2
3	END CONNECTOR 外特普	UPVC, CPVC, PP, PVDF	2
4	BALL 球體	UPVC, CPVC, PP, PVDF	1
5	GLAND 卡環	UPVC, CPVC, PP, PVDF	1
6	SEAL 止逆座	EPDM, FPM, NBR	1
7	O-RING 由令O環	EPDM, FPM	1



# VP-450 工業用擺動式逆止閥

## Swing Check Valve

- Minimum flow pressure: 2 PSI
  - Install vertically or horizontally, with arrow to indicate flow direction
  - Easy to clean by removing the top bonnet.
  - Less on-line down time for maintenance
  - To avoid blocking, it is recommended to install filter in front of the valve.
- 最低開啓壓力：2 PSI
  - 依流向箭頭指示水平或垂直安裝
  - 可直接清理閥體，無須自管路拆除
  - 前端管路建議安裝過濾器，以防閥門被阻塞

Type 品號	Size 尺寸	Standard 規格	Material 材質	Gasket 墊圈	End type 接口
VP-450	1/2"~8"	ANSI, JIS, DIN	UPVC	EPDM, FPM, NBR, PTFE	Flanged
VP-451	1/2"~8"	ANSI, JIS, DIN	CPVC	EPDM, FPM, NBR, PTFE	Flanged
VP-453	1/2"~8"	ANSI, JIS, DIN	PVDF	EPDM, FPM, NBR, PTFE	Flanged
VP-454	1/2"~8"	ANSI, JIS, DIN	PP	EPDM, FPM, NBR, PTFE	Flanged



Nom.	SIZE	15mm (1/2")	20mm (3/4")	25mm (1")	32mm (1-1/4")	40mm (1-1/2")	50mm (2")	65mm (2-1/2")	80mm (3")	100mm (4")	150mm (6")	200mm (8")
JIS	D	100	100	125	140	140	155	175	185	210	285	343
	D1	70	75	90	100	105	120	140	150	175	240	290
	L	140	140	160	180	180	200	240	260	300	400	500
ANSI	n-øe	4-ø15	4-ø15	4-ø19	4-ø19	4-ø19	4-ø19	4-ø19	8-ø19	8-ø19	8-ø23	12-ø23
	D	100	100	108	127	127	152	178	191	229	285	343
	D1	61	70	79	88.9	98	121	140	152	191	241	299
DIN	L	140	140	160	180	180	200	240	260	300	400	500
	n-øe	4-ø16	4-ø16	4-ø16	4-ø16	4-ø16	4-ø19	4-ø19	4-ø19	8-ø19	8-ø23	8-ø23
	D	100	100	115	150	150	165	185	200	220	285	343
DIN	D1	65	75	85	100	110	125	145	160	180	240	295
	L	140	140	160	180	180	200	240	260	300	400	500
	n-øe	4-ø14	4-ø14	4-ø14	4-ø18	4-ø18	4-ø18	4-ø18	8-ø18	8-ø18	8-ø22	8-ø22
T		15	15	17	19	19	20	22	22	24	26	30
H		93	93	117.5	137	137	165	168.5	169	217	285	338

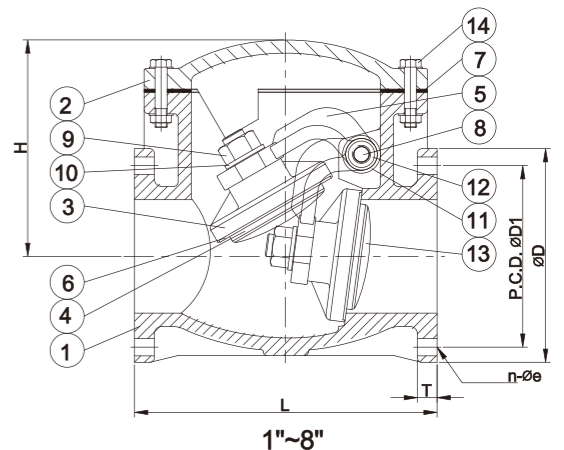
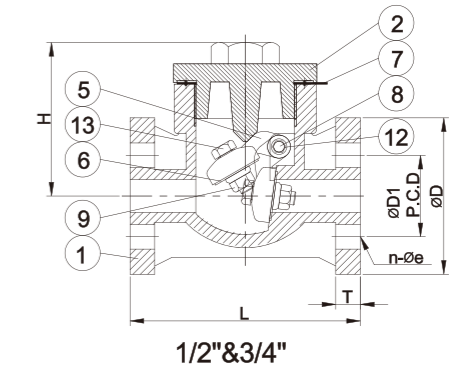
NO.	PART	MATERIAL	Q'TY
1	BODY 本體	HI-PVC, UPVC, CPVC, PP, PVDF	1
2	BONNET 上蓋	HI-PVC, UPVC, CPVC, PP, PVDF	1
3	DISC 擺動盤	HI-PVC, UPVC, CPVC, PP, PVDF	1
4	DISC HOLDER 墊盤 2~8"	HI-PVC, UPVC, CPVC, PP, PVDF	1
5	SWING ARM 擺臂	HI-PVC, UPVC, CPVC, PP, PVDF	1
6	SEAT 止洩圈	EPDM, FPM, NBR, PTFE	1
7	GASKET 本體墊圈	EPDM, FPM, NBR, PTFE	1
8	SHAFT 轉軸	PTFE	1
9	DISC NUT 螺帽	HI-PVC, UPVC, CPVC, PP, PVDF	1
10	DISC WASHER 華司	HI-PVC, UPVC, CPVC, PP, PVDF	1
11	SHEET GASKET 襯墊	EPDM, FPM, NBR, PTFE	1
12	SHEET BOLT 本體螺栓	HI-PVC, UPVC, CPVC, PP, PVDF	1
13	DISC BOLT 墊盤螺栓	HI-PVC, UPVC, CPVC, PP, PVDF	1-8
14	BOLT SETS 螺絲組	STEEL, SUS 304	6-16

Not suggest to installing on dirt/mud piping system  
P.S:PVC不建議使用於污泥管路系統

Swing check Valve使用參考壓力和溫度關係  
VP-450 Table of Temperature / Water Pressure (Reference only)  
Unit: kgf / cm<sup>2</sup>

Material	U-PVC		CPVC		PP				PVDF		
	EPDM	FPM	EPDM	EPDM	PTFE	PTFE	PTFE	PTFE	PTFE	PTFE	
SIZE	0~50	0~50	-10~60	61~90	-20~60	61~80	-20~60	61~80	-20~60	61~80	81~100
15(1/2")	7	6	7	6	7	6	6	5	6	5	4
20(3/4")	7	6	7	6	7	6	6	5	6	5	4
25(1")	7	6	7	6	7	6	6	5	6	5	4
40(1-1/2")	7	6	7	6	7	6	6	5	6	5	4
50(2")	7	6	7	6	7	6	6	5	6	5	4
65(2-1/2")	7	6	7	6	7	6	6	5	6	5	4
80(3")	7	5	7	6	7	6	5	4	5	4	3
100(4")	5	5	5	4	5	4	5	4	5	4	3
150(6")	5	3	5	3	5	4	3	2	3	2.5	2
200(8")	3	3	3	2.5	3	2	3	2	3	2.5	2

Notice with water hammer and surge pressure  
P.S:安裝時，特別注意水錘及脈衝現象



# VP-460 .470 單由令球型 (終端) 逆止閥

## Ball Check (Foot) Valve

- Pressure rating: 1/2"~2-1/2" 150 PSI, 3"~4" 100 PSI @73.4°F (23°C)
- Minimum flow pressure : 2~4 PSI
- Vertically installation, the arrow should be upward.
- Ball sealing design to be able to seal hermetically.
- 工作壓力 : 1/2"~2-1/2" 150 PSI, 3"~4" 100 PSI @73.4°F (23°C)
- 最低開啓壓力 : 2~4 PSI
- 依流向箭頭指示垂直安裝
- 球體逆止設計, 密閉性佳

Type 品號	Size 尺寸	Standard 規格	Material 材質	Seal 止逆座	End type 接口
VP-460	1/2"~4"	ANSI, JIS, DIN	UPVC	EPDM, FPM, NBR	Socket, Threaded, Flanged
VP-461	1/2"~4"	ANSI, JIS, DIN	CPVC	EPDM, FPM, NBR	Socket, Threaded, Flanged
VP-463	1/2"~4"	ANSI, JIS, DIN	PVDF	EPDM, FPM, NBR	Socket, Threaded, Flanged
VP-464	1/2"~4"	ANSI, JIS, DIN	PP	EPDM, FPM, NBR	Socket, Threaded, Flanged
VP-470	1/2"~4"	ANSI, JIS, DIN	UPVC	EPDM, FPM, NBR	Socket, Threaded, Flanged
VP-471	1/2"~4"	ANSI, JIS, DIN	CPVC	EPDM, FPM, NBR	Socket, Threaded, Flanged
VP-473	1/2"~4"	ANSI, JIS, DIN	PVDF	EPDM, FPM, NBR	Socket, Threaded, Flanged
VP-474	1/2"~4"	ANSI, JIS, DIN	PP	EPDM, FPM, NBR	Socket, Threaded, Flanged



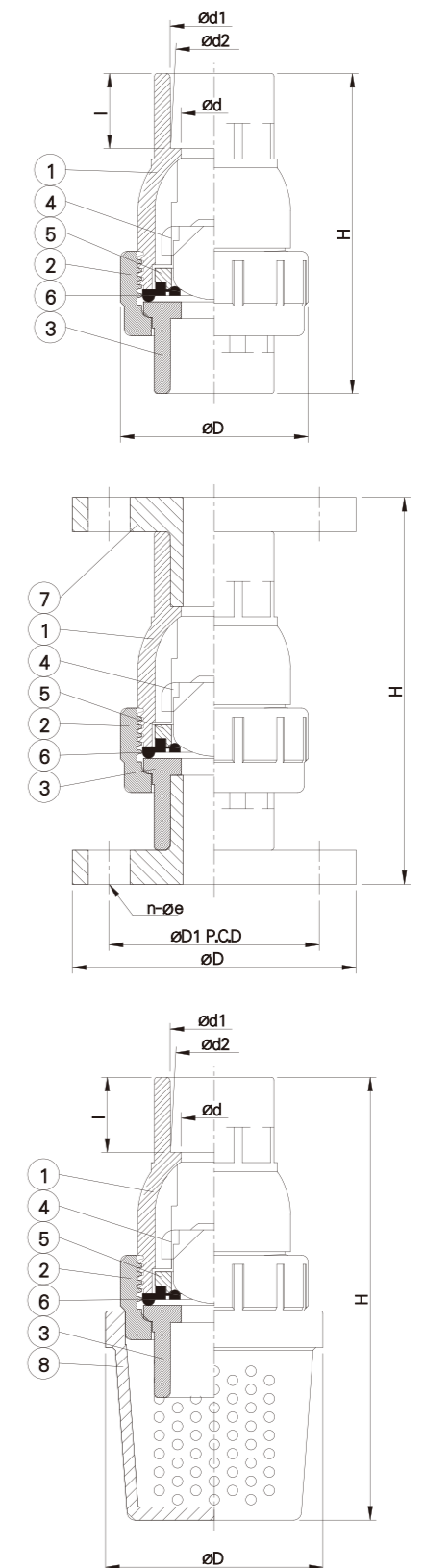
PS:球體亦可為圓形球, 可參考VP-440

Nom.	SIZE	15mm	20mm	25mm	32mm	40mm	50mm	65mm	80mm	100mm
		(1/2")	(3/4")	(1")	(1-1/4")	(1-1/2")	(2")	(2-1/2")	(3")	(4")
JIS	d1	22.3	26.3	32.33	38.43	48.46	60.56	76.6	89.6	114.7
	d2	21.7	25.7	31.67	37.57	47.54	59.44	75.87	88.83	113.77
	I	22.22	25.4	28.6	31.75	34.9	38.1	61	63	69
ANSI	d1 <sup>UPVC/CPVC</sup>	21.54	26.87	33.65	42.42	48.56	60.63	73.38	89.31	114.76
	d2 <sup>UPVC/CPVC</sup>	21.23	26.57	33.27	42.04	48.11	60.17	72.85	89.28	114.73
	I	22.22	25.4	28.58	31.75	34.93	38.1	44.45	47.63	57.15
DIN	d1	20.3	25.3	32.3	40.3	50.3	63.3	75.35	90.5	110.6
	d2	19.9	24.9	31.9	39.9	49.9	62.9	74.9	89.9	109.9
	I	16	19	22	26	31	38	44	51	61
thd/in	NPT	14	14	11.5	11.5	11.5	11.5	8	8	8
	BSPT	14	14	11	11	11	11	11	11	11
D	50	62	72	97	97	107	163	163	225	
d	13	20	25	36	40	50	70	77	102	
H	93	109	122	155	155	178	262	262	321	

Nom.	SIZE	15mm	20mm	25mm	32mm	40mm	50mm	65mm	80mm	100mm
		(1/2")	(3/4")	(1")	(1-1/4")	(1-1/2")	(2")	(2-1/2")	(3")	(4")
JIS	D	95.5	100	124.5	134.5	140.5	155	175	184.5	209.5
	D1	70	75	90	100	105	120	140	150	175
	n-øe	4-ø15	4-ø15	4-ø19	4-ø19	4-ø19	4-ø19	4-ø19	8-ø19	8-ø19
	H	122	141	154	191	191	218	306	307	364
ANSI	D	89	98	108	117	127	155	178.5	190.5	230
	D1	61	70	79	89	98	121	140	152	191
	n-øe	4-ø16	4-ø16	4-ø16	4-ø16	4-ø16	4-ø19	4-ø19	4-ø19	8-ø19
	H	115	133	150	187	190	216	306	309	369
DIN	D	95.5	100	124.5	134.5	140.5	155	175	184.5	209.5
	D1	65	75	85	100	110	125	145	160	180
	n-øe	4-ø15	4-ø15	4-ø15	4-ø19	4-ø19	4-ø19	4-ø19	8-ø19	8-ø19
	H	122	141	152	191	191	218	306	307	364

Nom.	SIZE	15mm	20mm	25mm	32mm	40mm	50mm	65mm	80mm	100mm
		(1/2")	(3/4")	(1")	(1-1/4")	(1-1/2")	(2")	(2-1/2")	(3")	(4")
JIS	d1	22.3	26.3	32.33	38.43	48.46	60.56	76.6	89.6	114.7
	d2	21.7	25.7	31.67	37.57	47.54	59.44	75.87	88.83	113.77
	I	22.22	25.4	28.6	31.75	34.9	38.1	61	63	69
ANSI	d1 <sup>UPVC/CPVC</sup>	21.54	26.87	33.65	42.42	48.56	60.63	73.38	89.31	114.76
	d2 <sup>UPVC/CPVC</sup>	21.23	26.57	33.27	42.04	48.11	60.17	72.85	89.28	114.73
	I	22.22	25.4	28.58	31.75	34.93	38.1	44.45	47.63	57.15
DIN	d1	20.3	25.3	32.3	40.3	50.3	63.3	75.35	90.5	110.6
	d2	19.9	24.9	31.9	39.9	49.9	62.9	74.9	89.9	109.9
	I	16	19	22	26	31	38	44	51	61
thd/in	NPT	14	14	11.5	11.5	11.5	11.5	8	8	8
	BSPT	14	14	11	11	11	11	11	11	11
D	60.5	70.7	82.8	110.6	110.6	124	163	163	225	
d	13	20	25	36	40	50	70	77	102	
H	137	154	169	204	204	241	321	321	397	

NO.	PART	MATERIAL	Q'TY
1	BODY 本體	UPVC, CPVC, PP, PVDF	1
2	UNION NUT 螺帽	UPVC, CPVC, PP, PVDF	1
3	END CONNECTOR 外特普	UPVC, CPVC, PP, PVDF	1
4	BALL 球體	UPVC, CPVC, PP, PVDF	1
5	GLAND 卡環	UPVC, CPVC, PP, PVDF	1
6	SEAL 止逆座	EPDM, FPM, NBR	1
7	FLANGE 法蘭片	UPVC, CPVC, PP, PVDF	2
8	FILTER 濾網	UPVC, CPVC, PP, PVDF	1



# VP-480 .490 彈簧式 (終端) 逆止閥

## Spring Check (Foot) Valve

- Specification: SCH 40
- To install by arrow indication
- Ball sealing design to be able to seal hermetically
- 規格：Schedule 40
- 依流向箭頭指示安裝
- 球體逆止設計，密閉性佳

Type 品號	Size 尺寸	Standard 規格	Material 材質	Gasket 墊片	Spring 彈簧	End type 接口
VP-480	1/2"~2"	ANSI, JIS, DIN	UPVC	EPDM, FPM	SUS 304	Socket, Threaded
VP-490	1/2"~2"	ANSI, JIS, DIN	UPVC	EPDM, FPM	SUS 304	Socket, Threaded

Nom.	SIZE	15mm	20mm	25mm	32mm	40mm	50mm
		(1/2")	(3/4")	(1")	(1-1/4")	(1-1/2")	(2")
JIS	d2	21.70	25.70	31.67	37.57	47.54	59.44
	d1	22.30	26.30	32.33	38.43	48.46	60.56
ANSI	d2	21.23	26.57	33.27	42.04	48.11	60.17
	d1	21.54	26.87	33.65	42.42	48.56	60.63
DIN	d2	19.9	24.9	31.9	39.9	49.9	62.9
	d1	20.3	25.3	32.3	40.3	50.3	63.3
thd./in	NPT	14	14	11.5	11.5	11.5	11.5
	BSPT	14	14	11	11	11	11
D		56	56	73	91	91	107
D1		35	35	45	52	60	73
D2		38	38	48	55	63	76
d		17	21	28	35	39	52
H		105	105	133	157	157	178
I	SCH40	17.48	18.26	22.22	23.82	27.38	29.36

NO.	PART	MATERIAL	Q'TY
1	UPPER BODY 上本體	UPVC	1
2	LOWER BODY 下本體	UPVC	1
3	POPPET 中心柱	UPVC	1
4	CONNECTOR 結合體	UPVC	1
5	SPRING 彈簧	SUS 304	1
6	GASKET 墊片	EPDM	1

Nom.	SIZE	15mm	20mm	25mm	32mm	40mm	50mm
		(1/2")	(3/4")	(1")	(1-1/4")	(1-1/2")	(2")
JIS	d2	21.70	25.70	31.67	37.57	47.54	59.44
	d1	22.30	26.30	32.33	38.43	48.46	60.56
ANSI	d2	21.23	26.57	33.27	42.04	48.11	60.17
	d1	21.54	26.87	33.65	42.42	48.56	60.63
DIN	d2	19.9	24.9	31.9	39.9	49.9	62.9
	d1	20.3	25.3	32.3	40.3	50.3	63.3
thd./in	NPT	14	14	11.5	11.5	11.5	11.5
	BSPT	14	14	11	11	11	11
D		60	60	83	83	110	124
D1		35	35	45	52	60	73
D2		38	38	48	55	63	76
d		17	21	28	35	39	52
H		123	123	147	170	170	198
I	SCH40	17.48	18.26	22.22	23.82	27.38	29.36

NO.	PART	MATERIAL	Q'TY
1	BODY 上本體	UPVC	1
2	FILTER 濾網	UPVC	1
3	POPPET 中心柱	UPVC	1
4	CONNECTOR 結合體	UPVC	1
5	SPRING 彈簧	SUS 304	1
6	GASKET 墊片	EPDM	1

