

Excellent & Advanced

VP-300 Series

Ball Valves 球閥

- VP-310, 320, 330, 340
Economy Single Union Ball Valve
經濟型單邊由令球閥
- VP-360, 370
Two-piece Ball Valve
兩片式球閥



VP-310 .320 .330 .340

Economy Single Union Ball Valve

- Specification: Schedule 40
- Lower torque and easy to operate
- Economical cost
- Suitable for swimming pool system

- 規格：Schedule 40
- 低扭力把手開關方便
- 價格實惠
- 重量輕，不佔空間
- 適用於游泳池產業

Type 品號	Size 尺寸	Standard 規格	Material 材質	Seat 墊座	O-ring O環	End type 接口
VP-310 / 320	1-1/2"~2"	ANSI, JIS, DIN, BS	UPVC	PTFE / EPDM	EPDM	Socket, Threaded
VP-315 / 325	1-1/2"~2"	ANSI, JIS, DIN, BS	ABS+PC	PTFE / EPDM	EPDM	Socket, Threaded
VP-330 / 340	1-1/2"~2"	ANSI, JIS, DIN, BS	UPVC	PTFE / EPDM	EPDM	MIPT
VP-335 / 345	1-1/2"~2"	ANSI, JIS, DIN, BS	ABS+PC	PTFE / EPDM	EPDM	MIPT



經濟型單邊由令球閥

Socket / Threaded Type

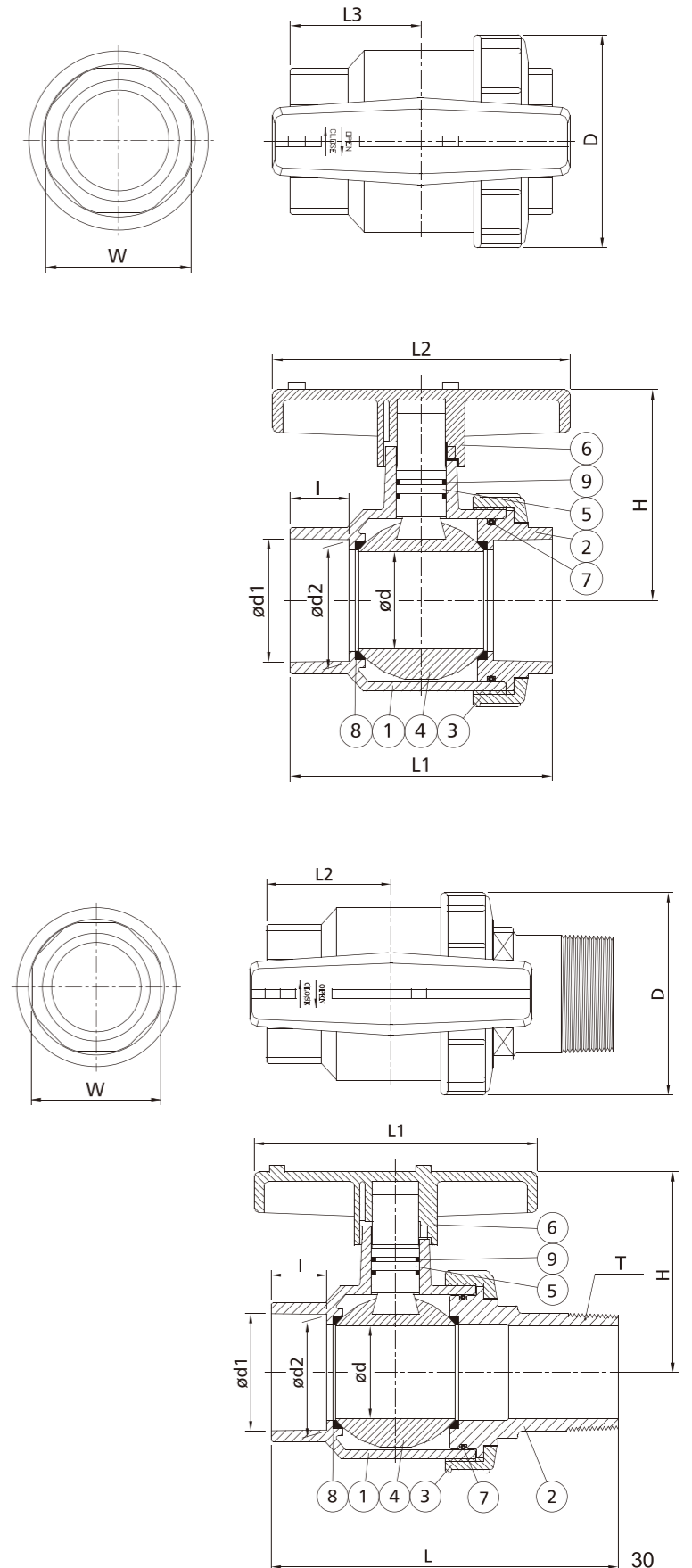
Nom.	SIZE	
	40mm (1-1/2")	50mm (2")
JIS	d1	48.46
	d2	47.54
ANSI	d1	48.56
	d2	48.11
DIN	d1	50.3
	d2	49.9
BS	d1	48.65
	d2	47.85
thd. / In.	BSPT	11
	NPT	11.5
D	87.5	105
d	38.5	48
L1	115	131
L2	121	147
L3	56.5	66
H	84	104
I	27.79	29.46
W	60	70

NO.	PART	MATERIAL	Q'TY
1	BODY 本體	UPVC, PP+GF, ABS+PC	1
2	END CONNECTOR 外特普	UPVC, PP+GF, ABS+PC	1
3	UNION NUT 螺帽	UPVC, PP+GF, ABS+PC	1
4	BALL 球體	UPVC, PP+GF, ABS+PC	1
5	STEM 中心柱	UPVC, PP+GF, ABS+PC	1
6	HANDLE 把手	ABS, PP+GF	1
7	UNION O-RING 由令O環	EPDM, FPM	1
8	SEAT 墊座	EPDM, PTFE	2
9	STEM O-RING 中心O環	EPDM, FPM	2

MIPT TYPE

Nom.	SIZE	
	40mm (1-1/2")	50mm (2")
JIS	d1	48.46
	d2	47.54
ANSI	d1	48.56
	d2	48.11
DIN	d1	50.3
	d2	49.9
BS	d1	48.65
	d2	47.85
thd. / In.	BSPT	11
	NPT	11.5
D	87.5	105
d	38.5	48
L	167	181
L1	121	147
L2	56.5	66
H	84	104
W	60	70
I	27.79	29.46

NO.	PART	MATERIAL	Q'TY
1	BODY 本體	UPVC, PP+GF, ABS+PC	1
2	END CONNECTOR 外特普	UPVC, PP+GF, ABS+PC	1
3	UNION NUT 螺帽	UPVC, PP+GF, ABS+PC	1
4	BALL 球體	UPVC, PP+GF, ABS+PC	1
5	STEM 中心柱	UPVC, PP+GF, ABS+PC	1
6	HANDLE 把手	ABS, PP+GF	1
7	UNION O-RING 由令O環	EPDM, FPM	1
8	SEAT 墊座	EPDM, PTFE	2
9	STEM O-RING 中心O環	EPDM, FPM	2



VP-360 .370 兩片式球閥

Two-piece Ball Valve

- Pressure rating: 150 PSI @ 73.4°F (23°C)
- Lower torque and easy to operate
- Full port design
- Economical cost
- 工作壓力 : 150 PSI @ 73.4°F (23°C)
- 低扭力把手開關方便
- 全流量設計、價格實惠

Type 品號	Size 尺寸	Standard 規格	Material 材質	Seat 墊座	O-ring O環	End type 接口
VP-360	2-1/2"~4"	ANSI, JIS, BS	UPVC	PTFE	EPDM, FPM	Socket, Threaded
VP-361	2-1/2"~4"	ANSI, JIS, BS	CPVC	PTFE	EPDM, FPM	Socket, Threaded
VP-365	2-1/2"~4"	DIN	ABS	PTFE	EPDM, FPM	Socket, Threaded
VP-370	2-1/2"~4"	ANSI, JIS, BS	UPVC	EPDM	EPDM, FPM	Socket, Threaded
VP-371	2-1/2"~4"	ANSI, JIS, BS	CPVC	EPDM	EPDM, FPM	Socket, Threaded
VP-375	2-1/2"~4"	DIN	ABS	EPDM	EPDM, FPM	Socket, Threaded



Nom.	SIZE	65mm	80mm	100mm
		(2-1/2")	(3")	(4")
JIS	d1	76.6	89.6	114.7
	d2	75.87	88.83	113.77
	I	62	63	69
ANSI	d1	73.38	89.31	114.76
	d2	72.85	88.28	114.73
	I	44.45	47.63	57.15
DIN	d1	75.35	90.5	110.6
	d2	74.9	89.9	109.9
	I	44	51	61
BS	d1	75.75	89.35	114.95
	d2	74.95	88.45	113.65
	I	44.45	47.63	57.15
thd./in	NPT	8	8	8
	BSPT	11	11	11
D		115	134.5	190
D1		89.5	106.5	142.5
d		61	69	99
L		203	227.5	300
L1		180	224	278
H		114.5	128.5	176

NO.	PART	MATERIAL	QTY
1	BODY 本體	UPVC, CPVC, ABS	1
2	END CONNECTOR 外特普	UPVC, CPVC, ABS	1
3	BALL 球體	UPVC, CPVC, ABS	1
4	STEM O-RING 中心O環	EPDM, FPM	2
5	STEM 中心柱	UPVC, CPVC, ABS	1
6	HANDLE 把手	ABS, PP+GF	1
7	UNION O-RING 由令O環	EPDM, FPM	1
8	SEAT 墊座	EPDM, PTFE	2
9	SEAT O-RING 墊座O環	EPDM, FPM	2

