



Assessed to ISO 9001
Cert/Ref No. 1404



HERSHEY VALVE

Thermoplastic Valves & Fittings 塑膠閥門與管配件專業製造

Thermoplastic Valves & Fittings

塑膠閥門與管配件專業製造



SCH 40/80 CPVC
Superior Water
Distribution System
CPVC純水潔淨管路系統



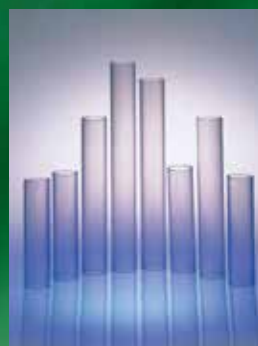
SCH 40/80 CPVC
Advanced Industrial System
CPVC先進工業管路系統



SDR13.5 CPVC
High Performance
Fire Sprinkler System
CPVC高效能消防管路系統



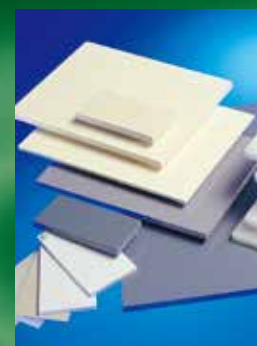
SCH 40/80 UPVC
Piping System
UPVC工業管路系統



SCH 40 Clear PVC
Piping System
PVC透明管路系統



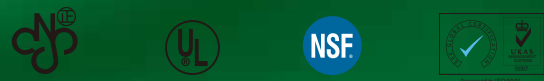
THERMOPLASTIC VALVE
各類塑膠閥門(凡而)



CPVC Sheet
Hi-Impact PVC Sheet
塑膠板材



CPVC/PVC-MI CABLE TRAYS
CPVC/PVC-MI 防火耐熱電纜線槽



環琪塑膠股份有限公司
Hershey Valve Co., Ltd.

435台中市梧棲區中港加工出口區經二路16號
No. 16, Jing 2nd Rd., Wuchi, Taichung, 435 Taiwan, R.O.C.
Tel : +886-4-26595377 Fax : +886-4-26595288 / 26595220
E-mail: info@hershey.com.tw <http://www.hershey.com.tw>

- 2019年四月印製
- We ask for your understanding if due to product improvements the product and colors in this catalogue have not yet been updated. We also ask for your understanding if due to printing limitations the objects and colors in this catalogue do not match the actual products exactly. 本型錄若有更新時，恕不另行通知
- The products in this catalogue have been registered with the patents office. The reprinting of this publication in any form or the imitation of any of the products described within is expressly forbidden without the express permission of the HERSHEY VALVE CO., LTD. 非經本公司同意不得轉載本刊任何圖文或仿冒



HERSHEY VALVE

Material:

- CPVC
- UPVC
- PVC
- PVDF
- PP, PP/Fiberglass
- ABS
- EPDM, FPM, NBR, PTFE

Application:

- Industrial Production
- Chemical Production
- Water Treatment
- Irrigation
- Fish Cultivation
- Pool and Spa
- General Plumbing

Content & Index

VP-200 Series



Various Fittings 各種管件

- VP-200 Compression Tee 三通快速接頭
- VP-210 Compression Coupling 快速接頭
- VP-220 T (Y) type Strainer T(Y)型過濾器
- VP-230 Expansion Joint 伸縮管
- VP-240 Unions 由令
- VP-250 Blind Flanges 盲法蘭
- VP-260 TS Flanges (Single Piece) 單片式法蘭
- VP-270 二片式法蘭 Van Stone Flanges (Two Pieces)
- VP-289 Rubber Gaskets 橡膠墊片
- Expansion Repair Coupling 伸縮接頭

VP-300 Series



Ball Valves 球閥

- VP-310, 320, 330, 340 經濟型單邊由令球閥 Economy Single Union Ball Valve
- VP-360, 370 兩片式球閥 Two-piece Ball Valve

VP-400 Series



Check Valves 逆止閥

- VP-420, 430 經濟型擺動式 (終端) 逆止閥 Economy Swing Check (Foot) Valve
- VP-440 雙由令球型逆止閥 True Union Ball Check Valve
- VP-450 Swing Check Valve 工業用擺動式逆止閥
- VP-460, 470 單由令球型 (終端) 逆止閥 Ball Check (Foot) Valve
- VP-480, 490 彈簧式 (終端) 逆止閥 Spring Check (Foot) Valve

VP-600 Series



Union Ball Valves 由令球閥

- VP-620 單邊由令球閥 Single Union Ball Valve
- VP-640 雙邊由令球閥 Double Union Ball Valve
- VP-640 雙邊法蘭球閥 Double Flange Ball Valve
- VP-680, 690 氣動式/電動式雙由令球閥 Pneumatic / Electric Actuator Double Union Ball Valve

VP-700 Series



Diaphragm Valves 隔膜閥

- VP-710 法蘭式隔膜閥 Diaphragm Valve (Flanged)
- VP-720, 730 插管式 / 由令式隔膜閥 Diaphragm Valve (Spigot, Union - Socket / Threaded)

VP-800 Series



Butterfly Valves 蝶閥

- VP-810 把手式蝶閥 Butterfly Valve (Handle type)
- VP-820 齒輪式蝶閥 Butterfly Valve (Gear Box)
- VP-830 氣動式蝶閥 Pneumatic Actuator Butterfly Valve
- VP-840 電動式蝶閥 Electric Actuator Butterfly Valve

VP-900 Series



Molded-In-Place Ball Valve 簡單型球閥

- VP-900, 910 簡單型球閥 Compact Ball Valve

Page Index

5	VP-200 Series	
	VP-200 Compression Tee	7
	VP-210 Compression Coupling	9
	VP-220 T (Y) type Strainer	11
	VP-230 Expansion Joint	13
	VP-240 Unions	15
	VP-240(SCH40) Unions	17
	VP-250, 260, 270 Blind Flanges / One-piece (TS) Flanges / Two-pieces (Van Stone) Flanges	19
	VP-289 Rubber Gaskets	23
	Expansion Repair Coupling	25
27	VP-300 Series	
	VP-310, 320, 330, 340	
	Economy Single Union Ball Valve	29
	VP-360, 370	
	Two-piece Ball Valve	31
33	VP-400 Series	
	VP-420, 430 Economy Swing Check (Foot) Valve	35
	VP-440 True Union Ball Check Valve	37
	VP-450 Swing Check Valve	39
	VP-460, 470 Ball Check (Foot) Valve	41
	VP-480, 490 Spring Check (Foot) Valve	43
45	VP-600 Series	
	VP-620 Single Union Ball Valve	47
	VP-640 Double Union Ball Valve	49
	VP-640 Double Union Ball Valve (N1 HANDLE)	51
	VP-640 Double Flange Ball Valve	53
	VP-680, 690	
	Pneumatic / Electric Actuator Double Union Ball Valve	55
57	VP-700 Series	
	VP-710 Diaphragm Valve (Flanged)	59
	VP-720, 730 Diaphragm Valve (Spigot, Union - Socket / Threaded)	61
63	VP-800 Series	
	VP-810 Butterfly Valve (Handle type)	65
	VP-820 Butterfly Valve (Gear Box)	67
	VP-830 Pneumatic Actuator Butterfly Valve	69
	VP-840 Electric Actuator Butterfly Valve	71
73	VP-900 Series	
	VP-900, 910 Compact Ball Valve	75
77	Products Properties	
	REFERENCE RANGE OF TEMPERATURE	
	CHEMICAL RESISTANCE OF MATERIAL	
	BASIC PROPERTIES OF PLASTICS	
	GENERAL INSTALLATION INSTRUCTIONS	

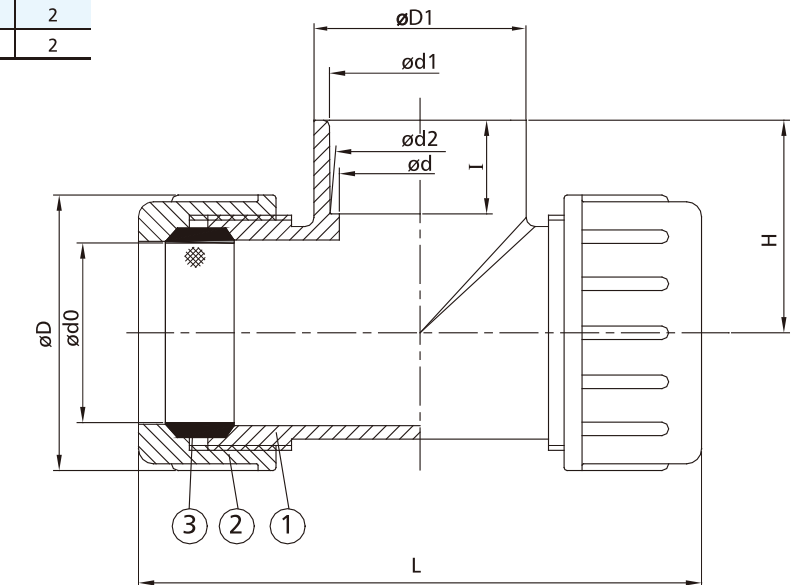
VP-200 三通快速接頭 Compression Tee

- Specification: Schedule 40
- Suitable for instant and emergent piping system repair.
- Suitable for IPS standard plastic / metal piping system
- 規格：Schedule 40
- 適用於緊急修復或無法斷水時之換管工程
- 適用於IPS規格之塑膠、金屬管路系統

Type 品號	Size 尺寸	Standard 規格	Material 材質	Seat 墊圈	End Type 接口
VP-200	1/2"~2"	ANSI	UPVC	NR	Socket, Threaded
VP-201	1/2"~2"	ANSI	CPVC	NR	Socket, Threaded

SIZE Nom.	15mm (1/2")	20mm (3/4")	25mm (1")	32mm (1-1/4")	40mm (1-1/2")	50mm (2")
D	47	52	61	72	80	92
D1	30	36	43	51	58	71
d	16.5	20.5	28	35	42.5	54
d0	21	26.47	33.2	42	48	60.1
d1	21.54	26.87	33.65	42.42	48.56	60.63
d2	21.23	26.57	33.27	42.04	48.11	60.17
L	127	132	143.5	159	171.5	189
H	36.5	44.5	55	61	68.5	71
I	22.22	26	31.6	34.7	37.9	31.3
NPT thd./in.	14	14	11.5	11.5	11.5	11.5

NO.	PART	MATERIAL	Q'TY
1	BODY 本體	UPVC, CPVC	1
2	UNION NUT 螺帽	UPVC, CPVC	2
3	SEAT 墊圈	NR	2



VP-210 快速接頭 Compression Coupling

- Specification: Schedule 40 / CTS
- Suitable for instant and emergent piping system repair.
- Suitable for IPS / CTS standard plastic piping system
- 規格：Schedule 40 / CTS
- 適用緊急搶修或無法停機時之換管工程
- 適用IPS或CTS銅管規格之塑膠管路系統

Type 品號	Size 尺寸	Standard 規格	Material 材質	Seat 墊圈
VP-210	3/8"~6"	ANSI, JIS, BS (IPS)	UPVC	NR
VP-211	1/2"~1"	ANSI (CTS)	CPVC	NR



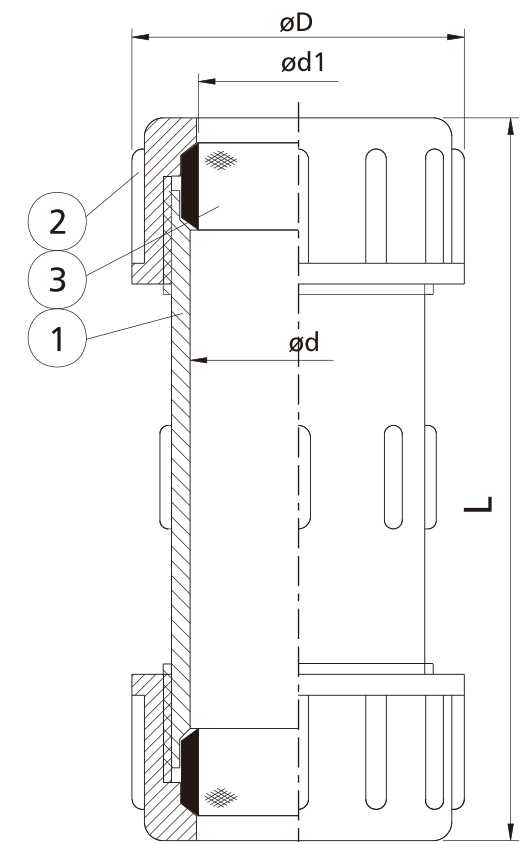
I.P.S.DIM.

Nom.	SIZE	10mm (3/8")	15mm (1/2")	20mm (3/4")	25mm (1")	32mm (1-1/4")	40mm (1-1/2")	50mm (2")	65mm (2-1/2")	80mm (3")	100mm (4")	150mm (6")
D		33	47	53	61	73	80	92	115	134	161	223
d		18	23	30	36	46	52	65	78	92	118	174
d1	JIS	17.8	21.8	25.8	31.8	37.8	47.8	59.8	75.8	88.8	113.8	166.0
	ANSI	16.8	21.0	26.47	33.2	42.0	48.0	60.1	72.8	88.7	114.1	168.0
	DIN	16.8	21.0	26.4	33.2	41.8	47.9	60.0	75.0	88.5	113.9	167.8
L		118	128	135	142	153	173	195	252	276	303	285

NO.	PART	MATERIAL	Q'TY
1	BODY 本體	UPVC, CPVC	1
2	UNION NUT 螺帽	UPVC, CPVC	2
3	SEAT 墊圈	NR	2

C.T.S.DIM.

Nom.	SIZE	15mm (1/2")	20mm (3/4")	25mm (1")
D		33	47	53
d		18	24	30
d1		16.08	22.45	28.83
L		114	127	135



VP-220 T (Y)型過濾器

T (Y) type Strainer

● Filter options include several mesh sizes with easy and rapid interchangeability.

● Filter Specification:

T type-SUS 304 / 316:

60 / 40 / 20 mesh

PP/PVC/CPVC: 3~8mm

Y type-SUS 304 / 316:

60 / 40 / 20 mesh

PE: 20 mesh

● 濾網拆卸清洗方便

● 濾網規格:

T型-SUS 304 / 316,

60 / 40 / 20 mesh

PP/PVC/CPVC

3~8mm孔目等客戶訂製規格

Y型-PE / 20 mesh

SUS / 40 / 60 mesh

註: Comparative Particle size

20 Mesh \approx 0.034 inches

40 Mesh \approx 0.015 inches

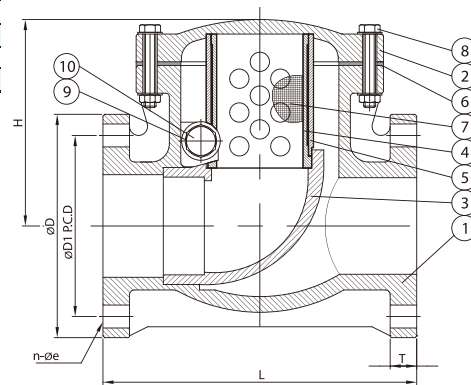
60 Mesh \approx 0.0092 inches

Type 品號	Size 尺寸	Standard 規格	Material 材質	Gasket / O-ring 墊圈 / O環	End type 接口
VP-220 T type	2"~8"	ANSI, JIS, DIN	UPVC	EPDM, PTFE, FPM	Flanged
VP-220 Y type	1/2"~4"	ANSI, JIS, DIN	UPVC	EPDM, FPM	Union, Socket, Flanged
VP-221 T type	2"~8"	ANSI, JIS, DIN	CPVC	EPDM, PTFE, FPM	Flanged
VP-221 Y type	1/2"~4"	ANSI, JIS, DIN	CPVC	EPDM, FPM	Union, Socket, Flanged

T-type Strainer DIM.

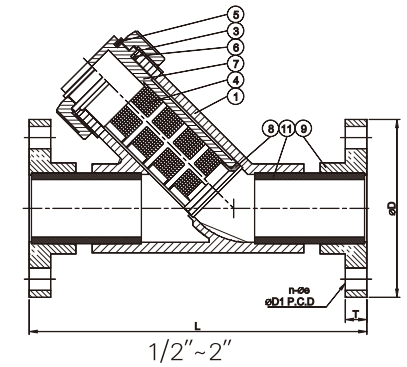
SIZE	50mm (2")	65mm (2-1/2")	80mm (3")	100mm (4")	150mm (6")	200mm (8")
JIS						
D	155	175	185	210	285	330
D1	120	140	150	175	240	290
n-øe	4-ø19	4-ø19	8-ø19	8-ø19	8-ø23	12-ø23
ANSI						
D	152	178	191	229	285	343
D1	121	140	152	191	241	299
n-øe	4-ø19	4-ø19	4-ø19	8-ø19	8-ø23	8-ø23
DIN						
D	165	185	200	220	285	343
D1	125	145	160	180	240	295
n-øe	4-ø18	4-ø18	8-ø18	8-ø18	8-ø22	8-ø22
L	200	240	260	300	400	500
H	165	168.5	169	217	285	338
T	20	22	22	24	26	30

NO	PART NAME	MATERIAL	Q'TY
1	BODY 本體	HI-PVC,UPVC,CPVC	1
2	BONNET 上蓋	HI-PVC,UPVC,CPVC	1
3	90°ELL 90°彎頭	UPVC,CPVC	1
4	INNER BODY 內濾網本體	UPVC,CPVC	1
5	OUTER BODY 外濾網本體	UPVC,CPVC	1
6	GASKET 本體墊圈	EPDM,FPM	1
7	FILTER 濾網	PP,SUS	1
8	BOLT SETS 螺絲帽	STEEL,SUS304	8~16
9	SHEET GASKET 襯墊	EPDM,FPM,NBR,PTFE	1
10	SHEET BOLT 本體螺絲	HI-PVC,UPVC,CPVC	1



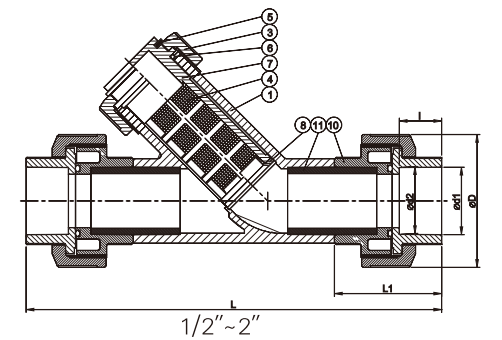
Y-type Strainer (Flanged) DIM.

SIZE	15mm (1/2")	20mm (3/4")	25mm (1")	32mm (1-1/4")	40mm (1-1/2")	50mm (2")	65mm (2-1/2")	80mm (3")	100mm (4")
JIS									
D	95	100	125	135	140	155	178	185	210
D1	70	75	90	100	105	120	140	150	175
L	160	175	202	245	247	299	375	413	472
T	14	15	15	16	16	20	22	22	22
n-øe	4-ø15	4-ø15	4-ø19	4-ø19	4-ø19	4-ø19	4-ø19	8-ø19	8-ø19
ANSI									
D	89	98	108	117	127	152	178	191	229
D1	61	70	79	89	98	121	140	152	191
L	154	170	200	245	250	290	375	400	465
T	11	12	14	16	17.5	19	22	23.5	24
n-øe	4-ø16	4-ø16	4-ø16	4-ø16	4-ø16	4-ø19	4-ø19	4-ø19	8-ø19



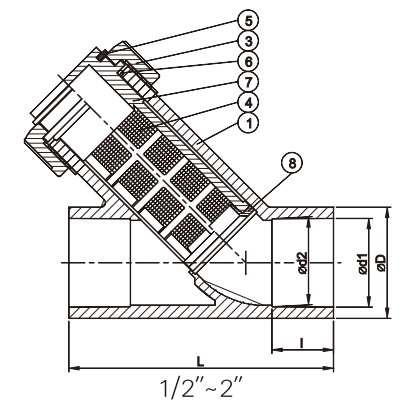
Y-type Strainer (Union) DIM.

SIZE	15mm (1/2")	20mm (3/4")	25mm (1")	32mm (1-1/4")	40mm (1-1/2")	50mm (2")	65mm (2-1/2")	80mm (3")	100mm (4")
JIS									
d1	22.3	26.3	32.33	38.43	48.46	60.56	76.6	89.6	114.7
d2	21.7	25.7	31.67	37.57	47.54	59.44	75.87	88.83	113.77
I	22.22	25.4	28.58	31.75	34.93	38.1	44.45	47.63	69
ANSI									
d1	21.54	26.87	33.65	42.42	48.56	60.63	73.38	89.31	114.76
d2	21.23	26.57	33.27	42.04	48.11	60.17	72.85	88.7	114.1
I	22.22	25.4	28.58	31.75	34.93	38.1	44.45	47.63	57.15
DIN									
d1	20.3	25.3	32.3	40.3	50.3	63.3	75.35	90.5	110.6
d2	19.9	24.9	31.9	39.9	49.9	62.9	74.9	89.9	109.9
I	16	19	22	26	31	38	44	51	61
D	46.5	55	66	82	98	120	140	163	225
L	202	233	261	324	334	377	450	476	601
L1	56	64	72	87	90	98	114	127	162

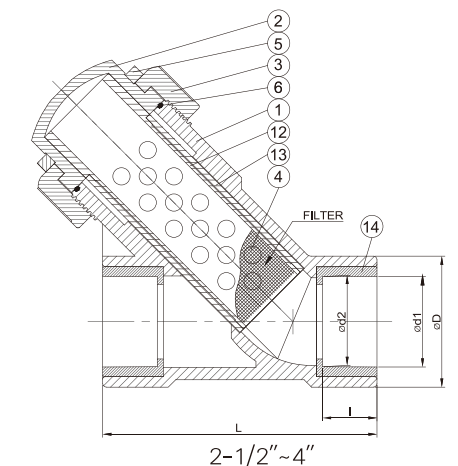


Y-type Strainer (Socket) DIM.

SIZE	15mm (1/2")	20mm (3/4")	25mm (1")	32mm (1-1/4")	40mm (1-1/2")	50mm (2")	65mm (2-1/2")	80mm (3")	100mm (4")
ANSI									
d1	21.54	26.87	33.65	42.42	48.56	60.63	73.38	89.31	114.76
d2	21.23	26.57	33.27	42.04	48.11	60.17	72.85	88.7	114.1
I	22.22	25.4	28.58	31.75	34.93	38.1	44.15	49	59.5
D	30	36	44	61	61	77	106	106	132
L	90	105	117	154.5	154.5	181	222	222	277



NO	PART	MATERIAL	Q'TY
1	BODY 本體	UPVC,CPVC	1
2	CAP 管帽 2-1/2"~4"	UPVC,CPVC	1
3	UNION NUT 螺帽	UPVC,CPVC	1
4	FILTER 濾網	PP,PE,SUS	1
5	SET RING 卡環	UPVC,CPVC	1
6	O-RING 本體O環	EPDM,FPM	1
7	FILTER HOLDER 濾網架 1/2"~2"	UPVC,CPVC	1
8	RETAINING RING 塞子 1/2"~2"	UPVC,CPVC	1
9	FLANGE 法蘭片	UPVC,CPVC	2
10	UNION 由令	UPVC,CPVC	2
11	PIPE 直管	UPVC,CPVC	2
12	INNER BODY 內濾網本體 2-1/2"~4"	UPVC,CPVC	1
13	OUTER BODY 外濾網本體 2-1/2"~4"	UPVC,CPVC	1
14	END CONNECTOR 外特普 2-1/2"	UPVC,CPVC	2



VP-230 伸縮管 Expansion Joint

- Suitable for straight run system with length over 30m, and with temperature change is greater than 17°C (30°F)
- Expansion or contraction of thermal plastic pipe:
 $\Delta L = y(T_{max} - T_{min})L$
 where ΔL = expansion of pipe in feet or meters
 y = coefficient of thermal expansion in in/in/°F or m/m/°C
 (CPVC = 3.4×10^{-5} in/in/°F, PVC = 3.0×10^{-5} in/in/°F)
 T_{max} = maximum temperature in °F or °C
 T_{min} = minimum temperature in °F or °C
 L = length of pipe run in feet or meters
- 適用直管長超過30m且流體溫度變化量超過17°C (30°F) 的環境
- 安裝時，依當時溫度設定伸縮管上溫度刻度即可，安裝方便。

伸縮管伸縮距離：150mm

$$\Delta L = Y (T_{max} - T_{min}) L$$

T max：最高溫度 (°F or °C)

T min：最低溫度 (°F or °C)

Y：熱膨脹係數

CPVC (Type IV Grade I)

3.4×10^{-5} in / in / °F

PVC (Type I Grade I)

3.0×10^{-5} in / in / °F

L：管道長度 (in or cm)

ΔL ：管熱膨脹距離 (in or cm)

ΔL (單位：mm)

150 = 所需安裝伸縮管數量

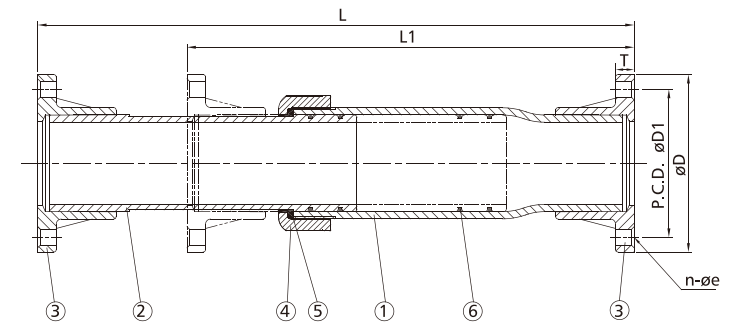
Type 品號	Size 尺寸	Standard 規格	Material 材質	O-ring O環	End type 接口
VP-230	1/2"~2"	ANSI	UPVC	EPDM, FPM	Socket, Threaded
VP-230 Fabricated	2-1/2"~12"	ANSI, JIS	UPVC	EPDM, FPM	Flanged
VP-231	1/2"~2"	ANSI	CPVC	EPDM, FPM	Socket, Threaded
VP-231 Fabricated	2-1/2"~12"	ANSI, JIS	CPVC	EPDM, FPM	Flanged



Flange type

Nom.	SIZE	65mm (2-1/2")	80mm (3")	100mm (4")	150mm (6")	200mm (8")	250mm (10")	300mm (12")
JIS	D	175	185	210	280	330	400	445
	D1	140	150	175	240	290	355	400
	n-øe	4-ø19	8-ø19	8-ø19	8-ø23	12-ø23	12-ø25	16-ø25
ANSI	D	178	191	229	280	343	406	481
	D1	140	152	191	241	299	362	432
	n-øe	4-ø19	4-ø19	8-ø19	8-ø23	8-ø23	12-ø25	12-ø25
L		565	580	680	770	835	880	1050
L1		415	430	530	620	685	730	900
T	JIS	24	25	28	32	36	42	42
	ANSI	22	22	22	26	28	30	30

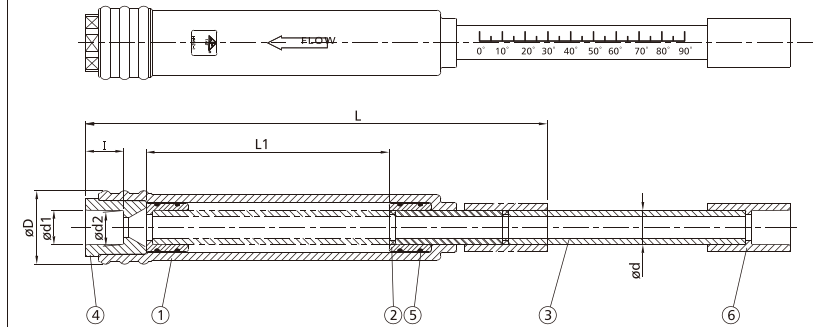
NO.	PART	MATERIAL	Q'TY
1	BODY 本體	UPVC, CPVC	1
2	SLIDER BLOCK 滑塊	UPVC, CPVC	1
3	FLANGE 法蘭片	UPVC, CPVC	2
4	UNION NUT 螺帽	UPVC, CPVC	1
5	GLAND 卡環	UPVC, CPVC	1
6	O-RING 滑塊O環	EPDM, FPM	3



Socket / Threaded type

Nom.	SIZE	15mm (1/2")	20mm (3/4")	25mm (1")	32mm (1-1/4")	40mm (1-1/2")	50mm (2")
ANSI	d1	21.54	26.87	33.65	42.42	48.56	60.63
	d2	21.23	26.57	33.27	42.04	48.11	60.17
	I	24	27.4	30.58	34.75	37.93	41.1
D		46	54	64	76	76	89
d		21.3	26.7	33.4	42.2	48.3	60.3
L		290	305	320	343	350	369
L1		150	150	150	150	150	150

NO.	PART	MATERIAL	Q'TY
1	BODY 本體	UPVC, CPVC	1
2	SLIDER BLOCK 滑塊	UPVC, CPVC	1
3	PIPE 管	UPVC, CPVC	1
4	REDUCING BUSHING 異徑接頭	UPVC, CPVC	1
5	O-RING 滑塊O環	EPDM, FPM	2~3
6	COUPLING 直接頭	UPVC, CPVC	1



VP-240 Unions 由令

- Suitable for any kind of piping system and easy to be installed.
- 拆装容易可適用於各種規格之管路

Type 品號	Size 尺寸	Standard 規格	Material 材質	O-ring O環	End type 接口
VP-240	3/8"~4"	ANSI, JIS, DIN, BS	UPVC	EPDM, FPM	Socket, Threaded
VP-241	3/8"~4"	ANSI, JIS, DIN, BS, CTS	CPVC	EPDM, FPM	Socket, Threaded
VP-243	3/8"~4"	ANSI, JIS, DIN, BS	PVDF	EPDM, FPM	Socket, Threaded
VP-244	3/8"~4"	ANSI, JIS, DIN, BS	PP	EPDM, FPM	Socket, Threaded

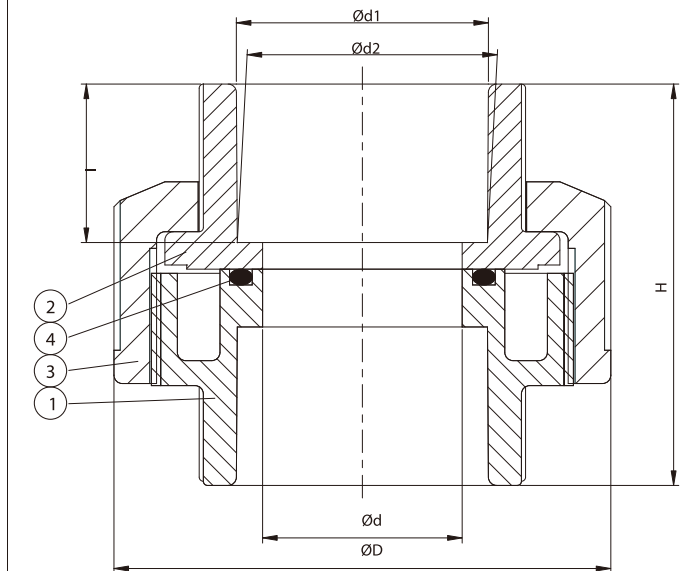


SIZE	10mm (3/8")	15mm (1/2")	20mm (3/4")	25mm (1")	32mm (1-1/4")	40mm (1-1/2")	50mm (2")	65mm (2-1/2")	80mm (3")	100mm (4")	
Nom.	d1	18.4	22.3	26.3	32.33	38.43	48.46	60.56	76.6	89.6	114.7
	d2	17.78	21.7	25.7	31.67	37.57	47.54	59.44	75.87	88.83	113.77
	I	19.05	22.2	25.4	28.6	31.8	34.9	38.1	44.45	47.63	69
ANSI	d1 UPVC	17.45	21.54	26.87	33.65	42.42	48.56	60.63	73.38	89.31	114.76
	d2 UPVC	17.04	21.23	26.57	33.27	42.04	48.11	60.17	72.85	89.28	114.73
	d2 CPVC	17.04	21.23	26.57	33.27	42.04	48.11	60.17	72.85	88.7	114.1
DIN	I SCH80	19.05	22.22	25.4	28.58	31.75	34.93	38.1	44.45	47.63	57.15
	d1	16.3	20.3	25.3	32.3	40.3	50.3	63.3	75.35	90.5	110.6
	d2	15.9	19.9	24.9	31.9	39.9	49.9	62.9	74.9	89.9	109.9
BS	I	14	16	19	22	26	31	38	44	51	61
	d1	17.5	21.7	27.15	33.95	42.65	48.65	60.75	75.75	89.35	114.95
	d2	16.8	21	26.35	33.15	41.85	47.85	59.95	74.95	88.45	113.65
thd./in.	NPT	18	14	14	11.5	11.5	11.5	11.5	8	8	8
	BSPT	19	14	14	11	11	11	11	11	11	11
D	38	46.5	55	66	82	98	120	140	163	225	
d	12	13.5	16.5	22	30	38	48	63	75	100	
H	48	56	64	72	87	90	98	114	127	162	

NO.	PART	MATERIAL	QTY
1	BODY 本體	UPVC, CPVC, PP, PVDF	1
2	END CONNECTOR 外特普	UPVC, CPVC, PP, PVDF	1
3	UNION NUT 螺帽	UPVC, CPVC, PP, PVDF	1
4	O-RING 本體O環	EPDM, FPM	1

CTS DIM

SIZE	15mm (1/2")	20mm (3/4")	25mm (1")	32mm (1-1/4")	40mm (1-1/2")
Nom.					
d1	16.08	22.45	28.83	35.2	41.66
d2	15.72	22.1	28.47	34.85	41.2
I	19.5	20.7	26.2	28.8	26.8
D	38	46.5	55	66	82
d	12.5	18.5	24.5	29	35
H	48	56	64	72	87

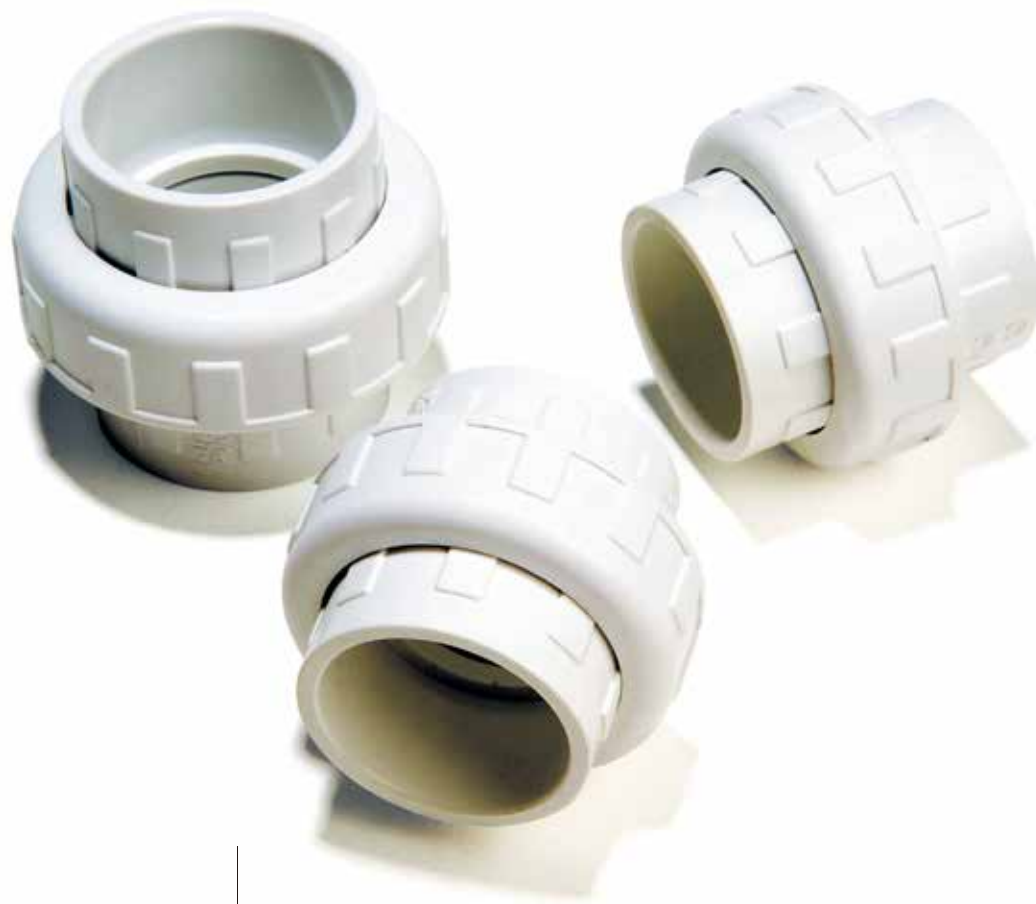


VP-240 (SCH.40)

Unions 由令

- Suitable for any kind of piping system and easy to be installed.
- 拆装容易可適用於SCH.40之管路

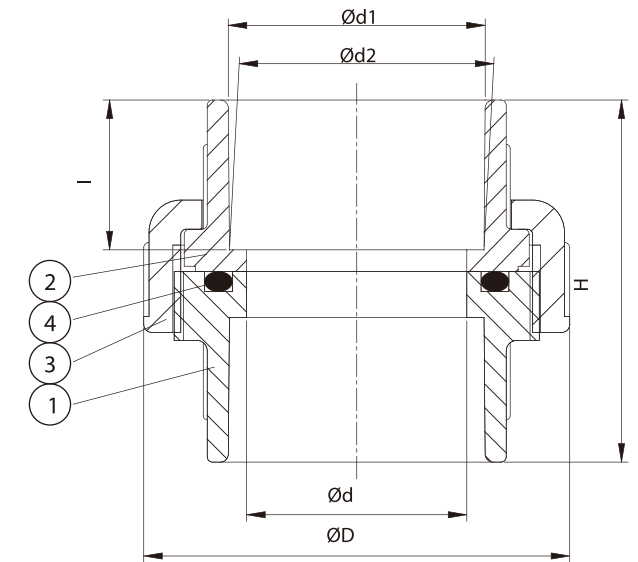
Type 品號	Size 尺寸	Standard 規格	Material 材質	O-ring O環	End type 接口
VP-240	1/2"~2"	ANSI	UPVC	EPDM, FPM	Socket, Threaded
VP-241	1/2"~2"	ANSI	CPVC	EPDM, FPM	Socket, Threaded



SCH.40

Nom.	SIZE	15mm (1/2")	20mm (3/4")	25mm (1")	32mm (1-1/4")	40mm (1-1/2")	50mm (2")
d1		21.54	26.87	33.65	42.42	48.56	60.63
d2		21.23	26.57	33.27	42.04	48.11	60.17
I		17.8	18.7	24.3	24.3	28.3	29.9
D		41	47.5	58	70	80.5	94
d		15.5	20.5	25	34	42	51
H		44	46	59	60	69	73.5

NO.	PART	MATERIAL	Q'TY
1	BODY 本體	UPVC, CPVC	1
2	END CONNECTOR 外特普	UPVC, CPVC	1
3	UNION NUT 螺帽	UPVC, CPVC	1
4	O-RING 本體O環	EPDM, FPM	1



VP-250 .260. 270 盲法蘭 / 單片 / 二片式法蘭

Blind Flanges / One-piece (TS) Flanges / Two-piece (Van Stone) Flanges

● Specification: JIS 10K / ANSI 150 LBS / DIN PN10 @73.4°F(23°C), Gasket type

● 規格：JIS 10K / ANSI 150LBS / DIN PN10 @73.4°F(23°C), 適用墊片接合型式

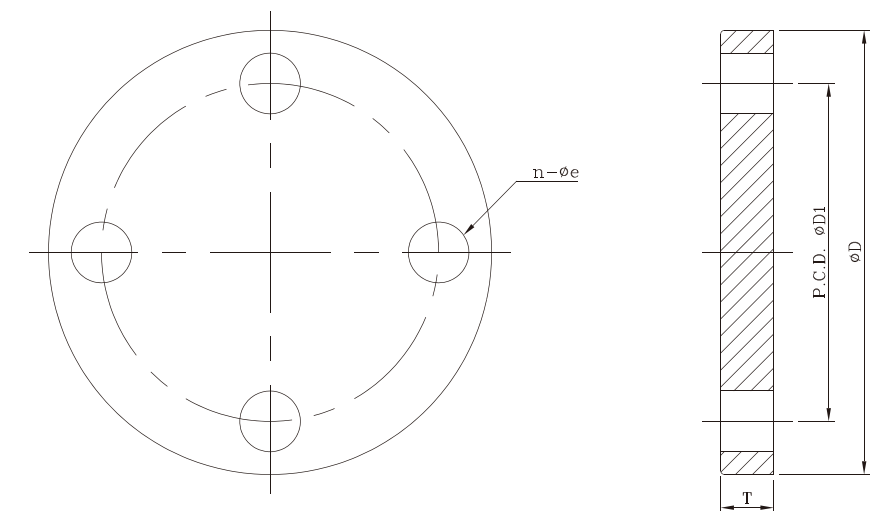
Type 品號	Size 尺寸	Standard 規格	Material 材質	End type 接口
VP-250	1/2"~12"	ANSI, JIS, DIN	UPVC	Flanged
VP-251	1/2"~12"	ANSI, JIS, DIN	CPVC	Flanged
VP-260	1/2"~12"	ANSI, JIS, DIN	UPVC	Socket, Threaded / Flanged
VP-261	1/2"~12"	ANSI, JIS, DIN	CPVC	Socket, Threaded / Flanged
VP-270	1/2"~24"	ANSI	UPVC	Socket, Threaded / Flanged
VP-271	1/2"~24"	ANSI	CPVC	Socket, Threaded / Flanged



BLIND FLANGE

Nom.	SIZE	15mm (1/2")	20mm (3/4")	25mm (1")	32mm (1-1/4")	40mm (1-1/2")	50mm (2")	65mm (2-1/2")	80mm (3")	100mm (4")	125mm (5")	150mm (6")	200mm (8")	250mm (10")	300mm (12")
ANSI	D	89	98	108	117	127	152	178	191	229	254	284	343	406	481
	D1	61	70	79	89	98	121	140	152	191	216	241	299	362	432
	T	12	13	14	16	17.5	19	22	24	24	28	26	28	34	34
	n-øe	4-ø16	4-ø16	4-ø16	4-ø16	4-ø16	4-ø19	4-ø19	4-ø19	8-ø19	8-ø23	8-ø23	8-ø23	12-ø25	12-ø25
JIS	D	95	100	125	135	140	155	175	185	210	250	280	330	400	445
	D1	70	75	90	100	105	120	140	150	175	210	240	290	355	400
	T	14	16	16	18	18	20	22	22	22	24	26	28	31	34
	n-øe	4-ø15	4-ø15	4-ø19	4-ø19	4-ø19	4-ø19	4-ø19	8-ø19	8-ø19	8-ø23	8-ø23	12-ø23	12-ø25	16-ø25
DIN	D	95	105	115	140	150	165	185	200	220	250	284	343	392	443
	D1	65	75	85	100	110	125	145	160	180	210	240	295	350	400
	T	12	14	14	14	16	16	16	18	18	20	26	28	33	33
	n-øe	4-ø14	4-ø14	4-ø14	4-ø18	4-ø18	4-ø18	4-ø18	8-ø18	8-ø18	8-ø18	8-ø22	8-ø22	12-ø22	12-ø22

● BLIND FLANGE



ANSI 150PSI FLANGE (one piece)

SIZE Nom.	15mm (1/2")	20mm (3/4")	25mm (1")	32mm (1-1/4")	40mm (1-1/2")	50mm (2")	65mm (2-1/2")	80mm (3")	100mm (4")	125mm (5")	150mm (6")	200mm (8")	250mm (10")	300mm (12")
D	89	98	108	117	127	152	178	191	229	254	280	342	405	480
D1	61	70	79	89	98	121	140	152	191	216	241	299	362	432
D2	33	40	48	57	65	78	92	109	139	167	186	255	291	343
d	15	25	31	40	46	57.5	70	78	111.5	136	146	209	246	296
d1	21.54	26.87	33.65	42.42	48.56	60.63	73.38	89.31	114.76	141.81	168.83	219.84	273.81	324.61
d2	21.23	26.57	33.27	42.04	48.11	60.17	72.85	88.7	114.1	141	168	218.7	272.67	323.47
H	25	29	31.7	35	38	41.3	47.6	50.8	61	82.5	142	131	170	173
T	11	12	14	16	17.5	19	22	23.5	24	28.5	25.5	28	31	33
I	22.22	25.4	28.58	31.75	34.93	38.1	44.45	47.63	57.15	66.7	132	102	123	165
n-øe	4-ø16	4-ø16	4-ø16	4-ø16	4-ø16	4-ø19	4-ø19	4-ø19	8-ø19	8-ø23	8-ø23	8-ø23	12-ø25	12-ø25

註：Socket diameters conform to ASTM D2467/ F439 Sch80 standard.

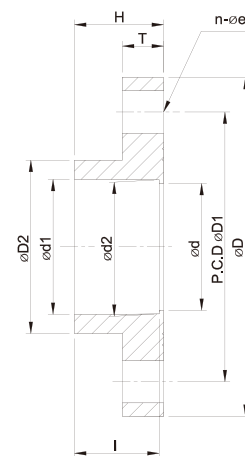
JIS 10K

SIZE Nom.	10mm (3/8")	15mm (1/2")	20mm (3/4")	25mm (1")	32mm (1-1/4")	40mm (1-1/2")	50mm (2")	65mm (2-1/2")	80mm (3")	100mm (4")	125mm (5")	150mm (6")	200mm (8")	250mm (10")	300mm (12")
D	90	95	100	125	135	140	155	175	185	210	250	280	330	400	445
D1	65	70	75	90	100	105	120	140	150	175	210	240	290	355	400
D2	26	31	35	42.5	48.5	61	73	90	105	132	158	186	238	289	341
d	15	18	22	25	30	41	52	67	78	100	125	146	196	247	298
d1	18.4	22.4	26.45	32.55	38.6	48.7	60.8	76.6	89.6	114.7	140.8	166	217.5	267.7	318.7
H	30	35	40	46	50.5	61.5	71	70	73	93	114	142	161	167	167
T	14	14	15	15	16	16	20	22	22	22	24	26	29	30	30
I	26	30	35	40	44	55	63	61	64	84	104	132	145	155	155
n-øe	4-ø15	4-ø15	4-ø15	4-ø19	4-ø19	4-ø19	4-ø19	4-ø19	8-ø19	8-ø19	8-ø23	8-ø23	12-ø23	12-ø25	16-ø25
1/T	1/30	1/34	1/34	1/34	1/34	1/37	1/37	1/48	1/49	1/56	1/58	1/63	1/50	1/55	1/55

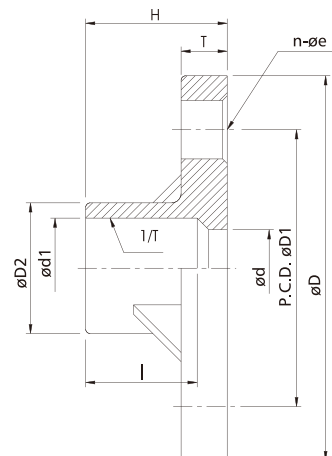
DIN PN10

SIZE Nom.	DN15 (1/2")	DN20 (3/4")	DN25 (1")	DN32 (1-1/4")	DN40 (1-1/2")	DN50 (2")	DN65 (2-1/2")	DN80 (3")	DN100 (4")	DN125 (5")	DN150 (6")	DN200 (8")	DN250 (10")	DN300 (12")
D	95	105	115	140	150	164	185	200	220	254	280	340	396	445
D1	65	75	85	100	110	125	145	160	180	210	240	295	350	400
D2	28	33	41	50	61	76	90	108	131	167	186	255	290	362
d	16	21	28	36	45	57	69.5	82	103	136	146.5	215	240	303
d1	20.3	25.3	32.3	40.3	50.3	63.3	75.35	90.5	110.6	140.85	160.85	226.25	251.45	316.85
d2	19.9	24.9	31.9	39.9	49.9	62.9	74.9	89.9	109.9	140.05	160.05	225.05	250.05	315.05
H	24	21.5	24.5	28	33.5	41	46	55	65	82.5	141.5	131	149	182
T	12	14	14	14	16	16	16	18	18	28	25.5	28	32	32
I	21	19	22	26	31	38	43.5	50.5	60.5	77	132	119	131	164
n-øe	4-ø14	4-ø14	4-ø14	4-ø18	4-ø18	4-ø18	4-ø18	8-ø18	8-ø18	8-ø18	8-ø22	8-ø22	12-ø22	12-ø22

●ANSI 150PSI FLANGE /DIN PN10



●JIS 10K FLANGE

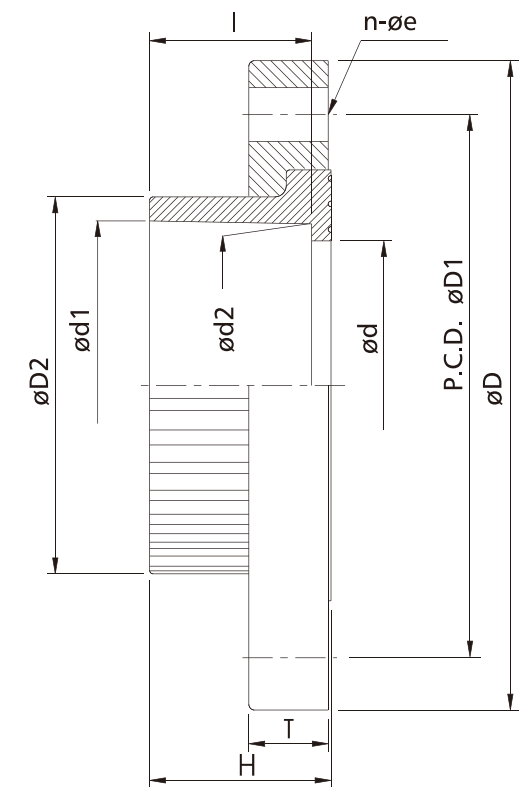


ANSI 150 PSI FLANGE (Van Stone)

SIZE Nom.	15mm (1/2")	20mm (3/4")	25mm (1")	32mm (1-1/4")	40mm (1-1/2")	50mm (2")	65mm (2-1/2")	80mm (3")	100mm (4")	125mm (5")	150mm (6")	200mm (8")	250mm (10")	300mm (12")	350mm (14")	400mm (16mm)	450mm (18")	500mm (20")	600mm (24")
D	89	98	108	117	128	152	178	192	229	250	283	343	406	481	533	600	635	699	813
D1	61	70	79	89	98	121	140	152	191	216	241	299	362	432	476	540	578	635	749
D2	31	37	44.5	54	64.5	76	92	109	133	161.44	192	246	298	348	395	452	507	564	675
d	12.5	16.5	22	29	37.8	51	68	77	102	125	156	204	256	307	340	384	430	481	590
d1	21.54	26.87	33.65	42.42	48.56	60.63	73.38	89.31	114.76	141.81	168.83	219.84	273.81	324.61	356.49	407.54	458.6	509.65	611.52
d2	21.23	26.57	33.27	42.04	48.11	60.17	72.85	88.7	114.1	141	168	218.7	272.67	323.47	355.22	405.89	456.69	507.49	608.84
H	26	30	34.5	39.5	39.5	43	49	54	64	90.5	85	118	150	191	195	220	280	310	346
T	11	12	14	16	18	20	24	26	28	28.5	32	36	42	42	50.8	60	62	63	72
I	22.22	25.4	28.58	31.75	34.93	38.1	44.45	47.63	57.15	66.7	76.2	102	127	165	161	204	254	280	305
n-øe	4-ø16	4-ø16	4-ø16	4-ø16	4-ø16	4-ø19	4-ø19	4-ø19	8-ø19	8-ø23	8-ø23	8-ø23	12-ø25	12-ø25	12-ø29	16-ø32	16-ø32	20-ø32	20-ø35

註：Socket diameters conform to ASTM D2467/ F439 Sch80 standard.

●ANSI 150 PSI FLANGE (Van Stone)



VP-289 橡膠墊片 Rubber Gaskets

● Material : EPDM, NBR, FPM

● 材質 : EPDM, NBR, FPM

Type 品號	Size 尺寸	Standard 規格	Material 材質
VP-289	1/2"~12"	ANSI, JIS, DIN	EPDM, NBR, FPM



JIS 10K

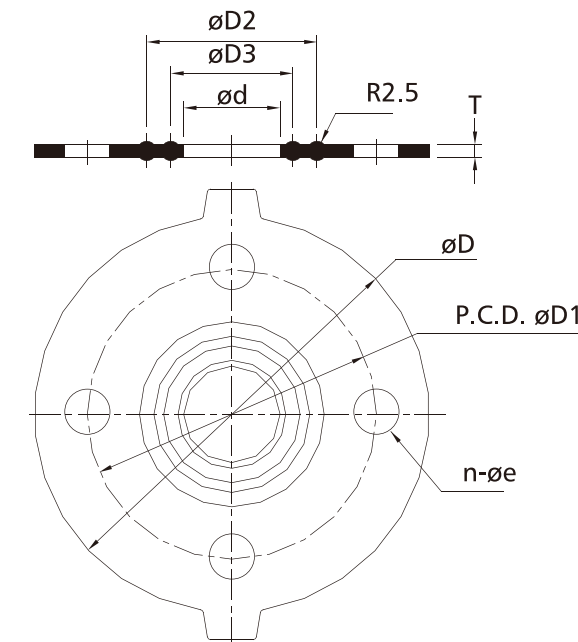
SIZE Nom.	15mm (1/2")	20mm (3/4")	25mm (1")	32mm (1-1/4")	40mm (1-1/2")	50mm (2")	65mm (2-1/2")	80mm (3")	100mm (4")	125mm (5")	150mm (6")	200mm (8")	250mm (10")	300mm (12")	350mm (14")	400mm (16")
D	93	98	123	133	138	153	173	183	208	248	278	328	398	443	485	560
D1	70	75	90	100	105	120	140	150	175	210	240	290	355	400	445	510
D2	41	47	53	65	69	83	101	112	138	166	190	247	306	352	405	482
D3	26	32	38	50	54	68	86	98	120	145	168	216	270	324	380	452
d	18	22	30	37	43	54	69	80	102	127	150	198	249	300	350	400
n-øe	4-ø15	4-ø15	4-ø19	4-ø19	4-ø19	4-ø19	4-ø19	8-ø19	8-ø19	8-ø23	8-ø23	12-ø23	12-ø25	16-ø25	16-ø25	16-ø27
T	3	3	3	3	3	3	3	3	3	3	3	3	3	3	3	3

ANSI 150 PSI

SIZE Nom.	15mm (1/2")	20mm (3/4")	25mm (1")	32mm (1-1/4")	40mm (1-1/2")	50mm (2")	65mm (2-1/2")	80mm (3")	100mm (4")	125mm (5")	150mm (6")	200mm (8")	250mm (10")	300mm (12")	350mm (14")	400mm (16")	450mm (18")	500mm (20")	600mm (24")
D	86.36	96.52	106.68	114.30	124.40	149.86	175.20	187.96	226.06	251.46	276.86	340.36	403.86	480.06	530	595	630	692	800
D1	61	70	79	89	98	121	140	152	191	216	241	299	362	432	476	540	578	635	749
D2	40.64	48.26	53.34	66.04	68.55	83.82	101.60	111.76	137.16	165.10	190.50	246.38	307.34	356.06	405	482	510	566	674
D3	25.40	33.02	38.10	50.80	53.34	68.58	86.36	99.06	119.38	144.78	167.64	215.90	269.24	325.20	380	452	472	535	644
d	17.78	22.86	30.48	38.10	43.18	53.34	68.58	81.28	101.60	127.00	148.86	198.12	248.92	299.72	350	400	450	500	600
n-øe	4-ø16	4-ø16	4-ø16	4-ø16	4-ø16	4-ø19	4-ø19	4-ø19	8-ø19	8-ø23	8-ø23	8-ø23	12-ø25	12-ø25	12-ø29	16-ø29	16-ø32	20-ø32	20-ø35
T	3	3	3	3	3	3	3	3	3	3	3	3	3	3	3	3	5	5	5

DIN PN 10

SIZE Nom.	15mm (1/2")	20mm (3/4")	25mm (1")	32mm (1-1/4")	40mm (1-1/2")	50mm (2")	65mm (2-1/2")	80mm (3")	100mm (4")	125mm (5")	150mm (6")	200mm (8")	250mm (10")	300mm (12")
D	93	103	113	133	148	163	183	198	218	248	283	338	393	443
D1	65	75	85	100	110	125	145	160	180	210	240	295	350	400
D2	41	47	53	65	69	83	101	112	138	166	190	247	306	352
D3	26	32	38	50	54	68	86	98	120	145	168	216	270	324
d	18	22	30	37	43	54	69	80	102	127	150	198	249	300
n-øe	4-ø14	4-ø14	4-ø14	4-ø18	4-ø18	4-ø18	4-ø18	8-ø18	8-ø18	8-ø18	8-ø22	8-ø22	12-ø22	12-ø22
T	3	3	3	3	3	3	3	3	3	3	3	3	3	3



VP 伸縮接頭

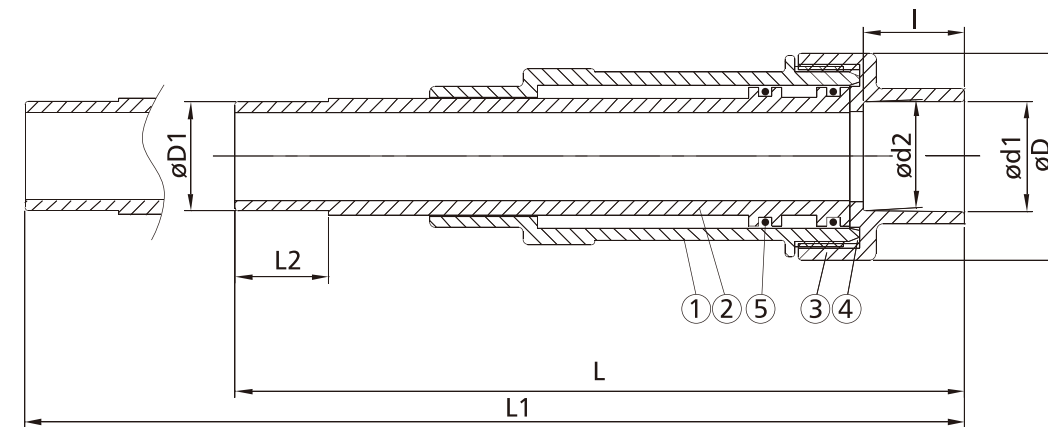
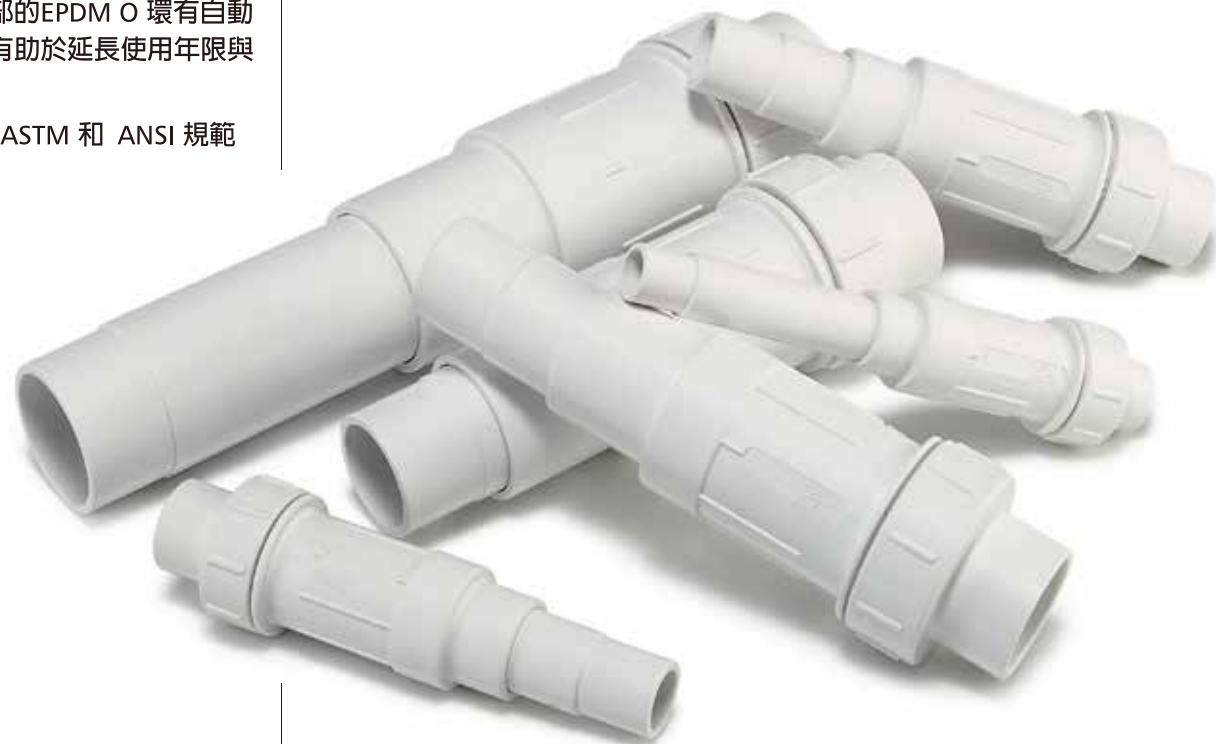
Expansion Repair Coupling

- Excellent for use in repairing broken lines or when adding additional lines or fittings. Simply cut out section of broken pipe, slightly longer than expansion repair coupling, apply glue to expansion repair coupling to fill the gap.
- Available in 1/2"~2" Sizes
- PVC SCH. 40 Type 1 Grade 1
- IPS Spigot * IPS Socket
- Internal self-lubricating EPDM o-ring for long life and smooth movement.
- Complies with ASTM and ANSI standards.
- 適用於修復破裂的管路或新增管路、管件。只需將破裂的管路截斷，截斷的長度需比縮短的伸縮接頭長度長一些。之後在伸縮接頭塗上膠水，並將之與管路連接。
- 尺寸：1/2"~2"
- 原料：PVC TYPE 1 GRADE 1, SCH.40
- 伸縮接頭內部的EPDM O 環有自動潤滑作用，有助於延長使用年限與伸縮自如。
- 符合相關之 ASTM 和 ANSI 規範

Type 品號	Size 尺寸	Standard 規格	Material 材質	O-ring O環	End type 接口
Fittings	1/2"~2"	sch.40	UPVC	EPDM	Socket

SIZE Nom.	15mm (1/2")	20mm (3/4")	25mm (1")	32mm (1-1/4")	40mm (1-1/2")	50mm (2")
øD	46.1	51.5	63.3	73.7	80.5	92.6
øD1	21.34	26.67	33.4	42.16	48.26	60.32
I	20.5	27.4	31	34	35.5	37
L	171	192	223	248.5	249	286.5
L1	219.5	249.5	287.5	317	323.5	364.3
L2	20.5	26	28.6	31.8	33.4	34.5
ød1	21.54	26.87	33.65	42.42	48.56	60.63
ød2	21.23	26.57	33.27	42.04	48.1	60.17

NO.	PART	MATERIAL	QTY
1	BODY 本體	UPVC	1
2	SLIDER 滑塊	UPVC	1
3	UNION NUT 螺帽	UPVC	1
4	O-RING 滑塊O環	EPDM	1
5	O-RING 本體O環	EPDM	2



Excellent & Advanced

VP-300 Series

Ball Valves 球閥

- VP-310, 320, 330, 340
Economy Single Union Ball Valve
經濟型單邊由令球閥
- VP-360, 370
Two-piece Ball Valve
兩片式球閥



VP-310 .320 .330 .340

Economy Single Union Ball Valve

- Specification: Schedule 40
- Lower torque and easy to operate
- Economical cost
- Suitable for swimming pool system

- 規格：Schedule 40
- 低扭力把手開關方便
- 價格實惠
- 重量輕，不佔空間
- 適用於游泳池產業

Type 品號	Size 尺寸	Standard 規格	Material 材質	Seat 墊座	O-ring O環	End type 接口
VP-310 / 320	1-1/2"~2"	ANSI, JIS, DIN, BS	UPVC	PTFE / EPDM	EPDM	Socket, Threaded
VP-315 / 325	1-1/2"~2"	ANSI, JIS, DIN, BS	ABS+PC	PTFE / EPDM	EPDM	Socket, Threaded
VP-330 / 340	1-1/2"~2"	ANSI, JIS, DIN, BS	UPVC	PTFE / EPDM	EPDM	MIPT
VP-335 / 345	1-1/2"~2"	ANSI, JIS, DIN, BS	ABS+PC	PTFE / EPDM	EPDM	MIPT



經濟型單邊由令球閥

Socket / Threaded Type

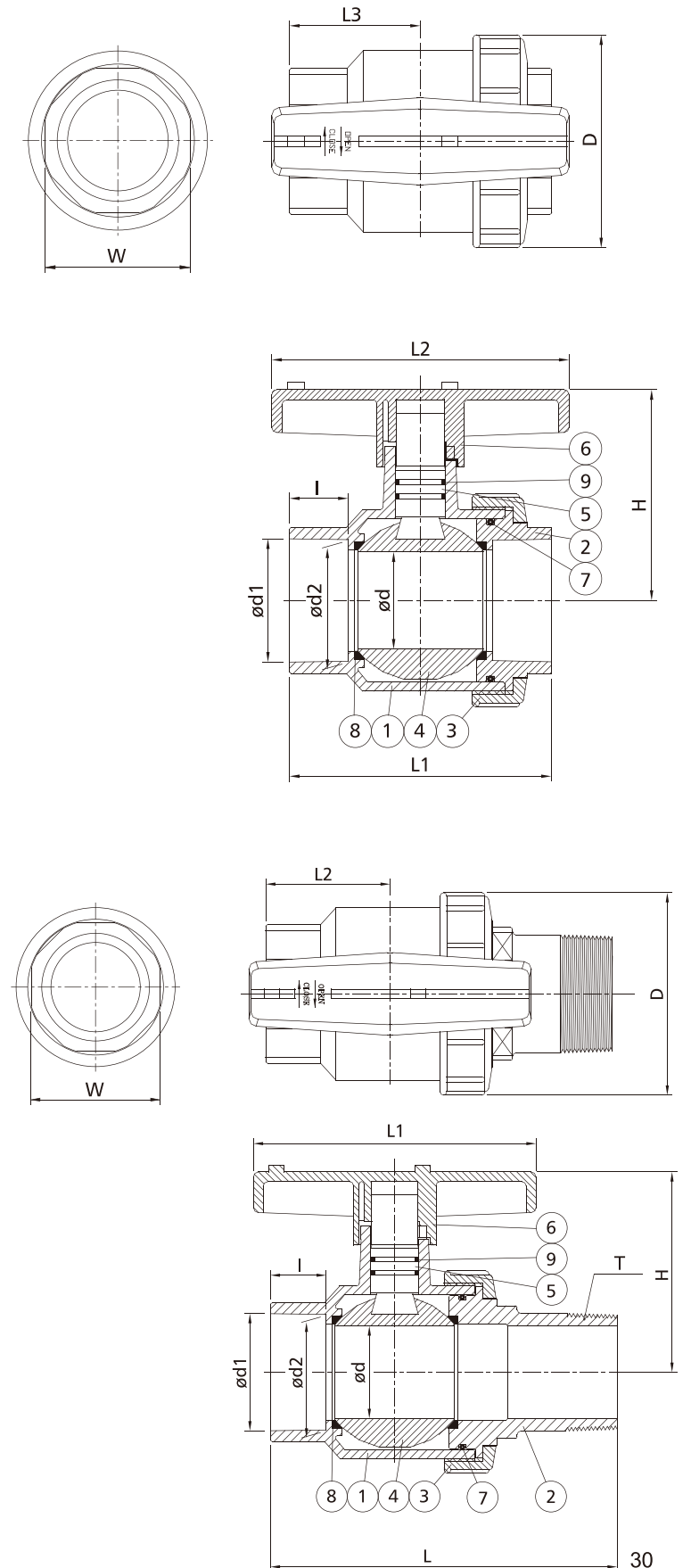
Nom.	SIZE	
	40mm (1-1/2")	50mm (2")
JIS	d1	48.46
	d2	47.54
ANSI	d1	48.56
	d2	48.11
DIN	d1	50.3
	d2	49.9
BS	d1	48.65
	d2	47.85
thd. / In.	BSPT	11
	NPT	11.5
D	87.5	105
d	38.5	48
L1	115	131
L2	121	147
L3	56.5	66
H	84	104
I	27.79	29.46
W	60	70

NO.	PART	MATERIAL	Q'TY
1	BODY 本體	UPVC, PP+GF, ABS+PC	1
2	END CONNECTOR 外特管	UPVC, PP+GF, ABS+PC	1
3	UNION NUT 螺帽	UPVC, PP+GF, ABS+PC	1
4	BALL 球體	UPVC, PP+GF, ABS+PC	1
5	STEM 中心柱	UPVC, PP+GF, ABS+PC	1
6	HANDLE 把手	ABS, PP+GF	1
7	UNION O-RING 由令O環	EPDM, FPM	1
8	SEAT 墊座	EPDM, PTFE	2
9	STEM O-RING 中心O環	EPDM, FPM	2

MIPT TYPE

Nom.	SIZE	
	40mm (1-1/2")	50mm (2")
JIS	d1	48.46
	d2	47.54
ANSI	d1	48.56
	d2	48.11
DIN	d1	50.3
	d2	49.9
BS	d1	48.65
	d2	47.85
thd. / In.	BSPT	11
	NPT	11.5
D	87.5	105
d	38.5	48
L	167	181
L1	121	147
L2	56.5	66
H	84	104
W	60	70
I	27.79	29.46

NO.	PART	MATERIAL	Q'TY
1	BODY 本體	UPVC, PP+GF, ABS+PC	1
2	END CONNECTOR 外特管	UPVC, PP+GF, ABS+PC	1
3	UNION NUT 螺帽	UPVC, PP+GF, ABS+PC	1
4	BALL 球體	UPVC, PP+GF, ABS+PC	1
5	STEM 中心柱	UPVC, PP+GF, ABS+PC	1
6	HANDLE 把手	ABS, PP+GF	1
7	UNION O-RING 由令O環	EPDM, FPM	1
8	SEAT 墊座	EPDM, PTFE	2
9	STEM O-RING 中心O環	EPDM, FPM	2



VP-360 .370 兩片式球閥

Two-piece Ball Valve

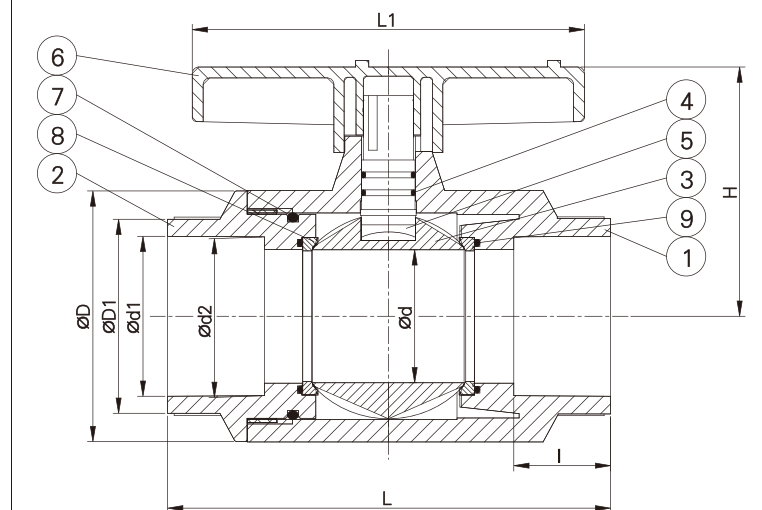
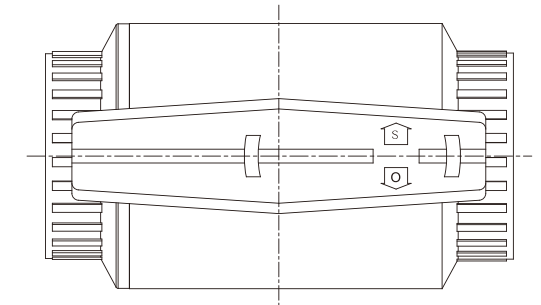
- Pressure rating: 150 PSI @ 73.4°F (23°C)
- Lower torque and easy to operate
- Full port design
- Economical cost
- 工作壓力 : 150 PSI @ 73.4°F (23°C)
- 低扭力把手開關方便
- 全流量設計、價格實惠

Type 品號	Size 尺寸	Standard 規格	Material 材質	Seat 墊座	O-ring O環	End type 接口
VP-360	2-1/2"~4"	ANSI, JIS, BS	UPVC	PTFE	EPDM, FPM	Socket, Threaded
VP-361	2-1/2"~4"	ANSI, JIS, BS	CPVC	PTFE	EPDM, FPM	Socket, Threaded
VP-365	2-1/2"~4"	DIN	ABS	PTFE	EPDM, FPM	Socket, Threaded
VP-370	2-1/2"~4"	ANSI, JIS, BS	UPVC	EPDM	EPDM, FPM	Socket, Threaded
VP-371	2-1/2"~4"	ANSI, JIS, BS	CPVC	EPDM	EPDM, FPM	Socket, Threaded
VP-375	2-1/2"~4"	DIN	ABS	EPDM	EPDM, FPM	Socket, Threaded



Nom.	SIZE	65mm (2-1/2")	80mm (3")	100mm (4")
JIS	d1	76.6	89.6	114.7
	d2	75.87	88.83	113.77
	I	62	63	69
ANSI	d1	73.38	89.31 89.28	114.76 114.73
	d2	72.85	88.7 88.67	114.1 114.04
	I	44.45	47.63	57.15
DIN	d1	75.35	90.5	110.6
	d2	74.9	89.9	109.9
	I	44	51	61
BS	d1	75.75	89.35	114.95
	d2	74.95	88.45	113.65
	I	44.45	47.63	57.15
thd./in	NPT	8	8	8
	BSPT	11	11	11
D		115	134.5	190
D1		89.5	106.5	142.5
d		61	69	99
L		203	227.5	300
L1		180	224	278
H		114.5	128.5	176

NO.	PART	MATERIAL	QTY
1	BODY 本體	UPVC, CPVC, ABS	1
2	END CONNECTOR 外特普	UPVC, CPVC, ABS	1
3	BALL 球體	UPVC, CPVC, ABS	1
4	STEM O-RING 中心O環	EPDM, FPM	2
5	STEM 中心柱	UPVC, CPVC, ABS	1
6	HANDLE 把手	ABS, PP+GF	1
7	UNION O-RING 由令O環	EPDM, FPM	1
8	SEAT 墊座	EPDM, PTFE	2
9	SEAT O-RING 墊座O環	EPDM, FPM	2



VP-420 .430 經濟型擺動式（終端）逆止閥

Economy Swing Check (Foot) Valve

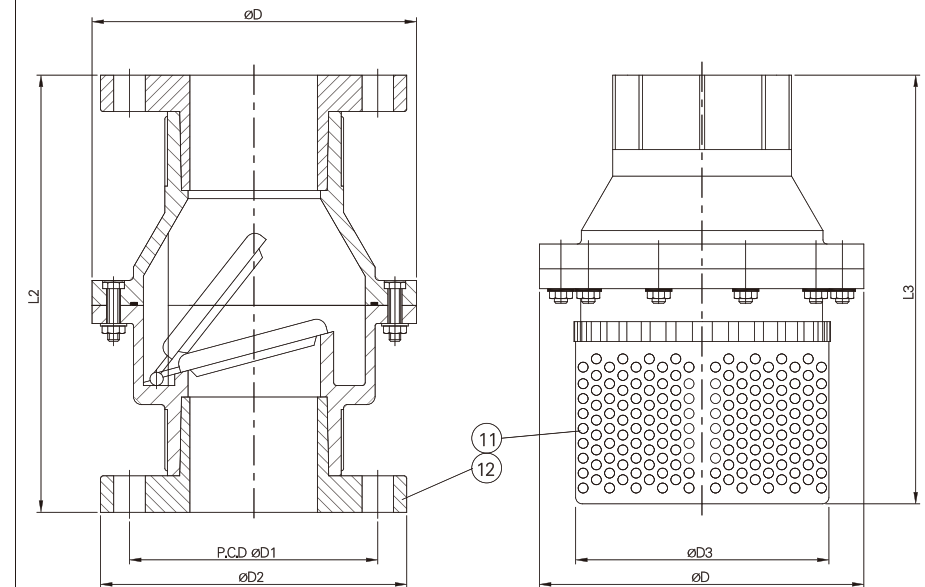
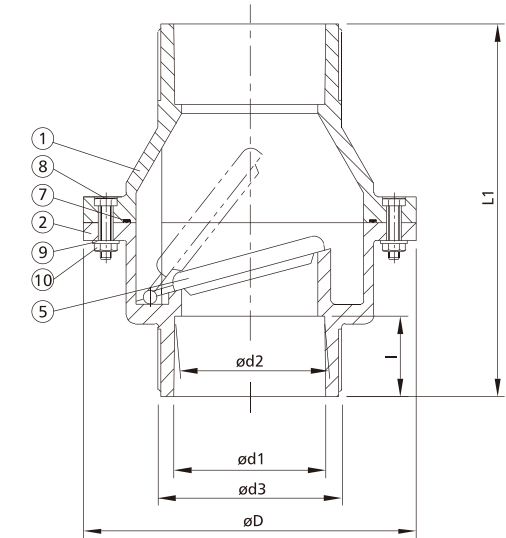
- With arrow to mark the direction of flow, and to be installed according to flow direction.
- Vertical installation: the arrow should be installed upward.
- Horizontal installation: the arrow mark should be shown on top to indicate the flow direction.
- 箭頭標示水流方向，請依實際水流方向安裝
- 垂直裝配時指示箭頭方向朝上安裝
- 水平裝配時指示箭頭位置必須位在正上方

Type 品號	Size 尺寸	Standard 規格	Material 材質	Disc 閘門	O-ring O環	End type 接口
VP-420	3"~4"	ANSI, JIS, DIN	UPVC	EPDM, FPM	EPDM, FPM	Socket, Threaded, Flanged
VP-430	3"~4"	ANSI, JIS, DIN	UPVC	EPDM, FPM	EPDM, FPM	Socket, Threaded, Flanged



NO.	PART	MATERIAL	Q'TY
1	UPPER BODY 上本體	UPVC	1
2	LOWER BODY 下本體	UPVC	1
5	DISC 閘門	EPDM, FPM	1
7	O-RING 本體O環	EPDM, FPM	1
8	BOLT 螺絲	SUS 304	10
9	WASHER 平華司	SUS 304	10
10	NUT 螺帽	SUS 304	10
11	FILTER 濾網	UPVC	1
12	FLANCE 法蘭片	UPVC	2

Nom.	SIZE	SIZE	
		80mm (3")	100mm (4")
JIS	D1	150	175
	d1	89.6	114.7
	d2	88.83	113.77
	I	47.63	57.15
ANSI	D1	152	191
	d1 UPVC	89.31	114.76
	d1 CPVC	89.28	114.73
	d2 UPVC	88.7	114.1
DIN	d2 CPVC	88.67	114.04
	I	47.63	57.15
	d1	90.5	110.6
	d2	89.9	109.9
thd./in	I	51	61
	NPT	8	8
D	BSPT	11	11
	D	196	210
D2	D	185	210
D3	D	153	153
d3	D	108	133
L1	D	221	271
L2	D	260	300
L3	D	275	320



VP-440 雙由令球型逆止閥

True Union Ball Check Valve

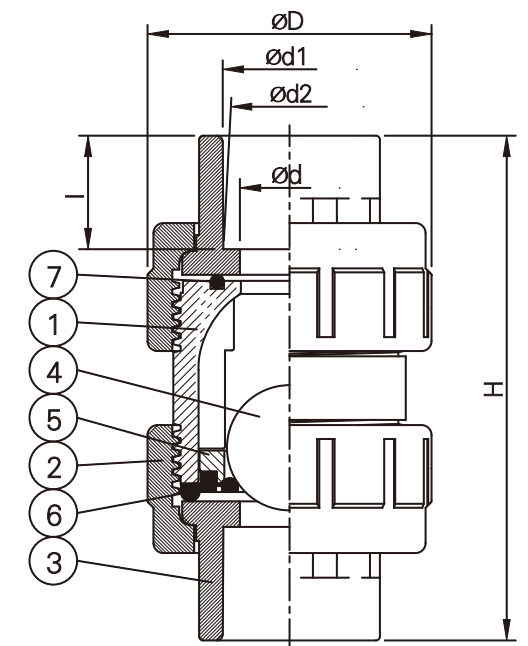
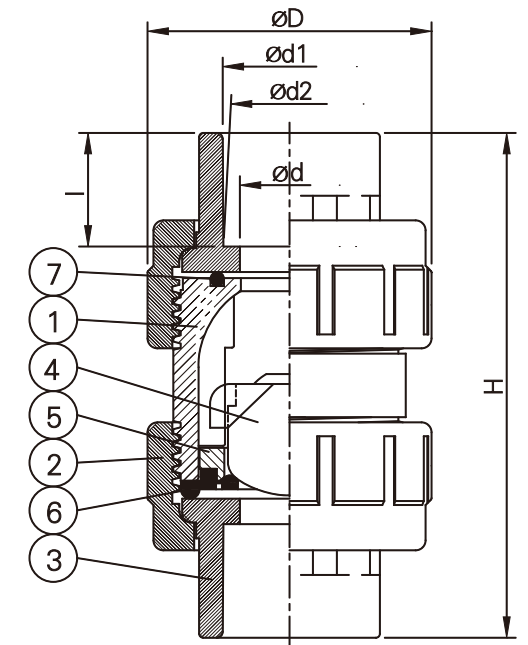
- Pressure rating: 150 PSI @73.4°F (23°C)
- Minimum flow pressure: 5 PSI
- Vertically installed, the arrow mark should be upward.
- True union end type
- Easy maintenance
- Ball sealing design, and to be able to seal hermetically.
- 工作壓力：150 PSI @73.4°F (23°C)
- 最低開啓壓力：5 PSI
- 依流向箭頭指示垂直安裝
- 球體逆止設計，密閉性佳

Type 品號	Size 尺寸	Standard 規格	Material 材質	Seal 止逆座	O-ring O環	End type 接口
VP-440	1/2"~2"	ANSI, JIS, DIN	UPVC	EPDM, FPM, NBR	EPDM, FPM	Socket, Threaded
VP-441	1/2"~2"	ANSI, JIS, DIN	CPVC	EPDM, FPM, NBR	EPDM, FPM	Socket, Threaded
VP-443	1/2"~2"	ANSI, JIS, DIN	PVDF	EPDM, FPM, NBR	EPDM, FPM	Socket, Threaded
VP-444	1/2"~2"	ANSI, JIS, DIN	PP	EPDM, FPM, NBR	EPDM, FPM	Socket, Threaded



Nom.	SIZE	15mm	20mm	25mm	32mm	40mm	50mm
		(1/2")	(3/4")	(1")	(1-1/4")	(1-1/2")	(2")
JIS	d1	22.3	26.3	32.33	38.6	48.46	60.56
	d2	21.7	25.7	31.67	37.67	47.54	59.44
	I	22.2	25.4	28.6	31.75	34.9	38.1
ANSI	d1	21.45	26.87	33.65	42.42	48.56	60.63
	d2	21.23	26.57	33.27	42.04	48.11	60.17
	I	22.22	25.4	28.58	31.75	34.93	38.1
DIN	d1	20.3	25.3	32.3	40.3	50.3	63.3
	d2	19.9	24.9	31.9	39.9	49.9	62.9
	I	16	19	22	26	31	38
thd./in	NPT	14	14	11.5	11.5	11.5	11.5
	BSPT	14	14	11	11	11	11
D		50	62	72	97	97	107
d		13	20	25	31.5	41	50
H		96	112	127	159	159	185

NO.	PART	MATERIAL	Q'TY
1	BODY 本體	UPVC, CPVC, PP, PVDF	1
2	UNION NUT 螺帽	UPVC, CPVC, PP, PVDF	2
3	END CONNECTOR 外特普	UPVC, CPVC, PP, PVDF	2
4	BALL 球體	UPVC, CPVC, PP, PVDF	1
5	GLAND 卡環	UPVC, CPVC, PP, PVDF	1
6	SEAL 止逆座	EPDM, FPM, NBR	1
7	O-RING 由令O環	EPDM, FPM	1



VP-450 工業用擺動式逆止閥

Swing Check Valve

- Minimum flow pressure: 2 PSI
 - Install vertically or horizontally, with arrow to indicate flow direction
 - Easy to clean by removing the top bonnet.
 - Less on-line down time for maintenance
 - To avoid blocking, it is recommended to install filter in front of the valve.
- 最低開啓壓力：2 PSI
 - 依流向箭頭指示水平或垂直安裝
 - 可直接清理閥體，無須自管路拆除
 - 前端管路建議安裝過濾器，以防閥門被阻塞

Type 品號	Size 尺寸	Standard 規格	Material 材質	Gasket 墊圈	End type 接口
VP-450	1/2"~8"	ANSI, JIS, DIN	UPVC	EPDM, FPM, NBR, PTFE	Flanged
VP-451	1/2"~8"	ANSI, JIS, DIN	CPVC	EPDM, FPM, NBR, PTFE	Flanged
VP-453	1/2"~8"	ANSI, JIS, DIN	PVDF	EPDM, FPM, NBR, PTFE	Flanged
VP-454	1/2"~8"	ANSI, JIS, DIN	PP	EPDM, FPM, NBR, PTFE	Flanged



Nom.	SIZE	15mm (1/2")	20mm (3/4")	25mm (1")	32mm (1-1/4")	40mm (1-1/2")	50mm (2")	65mm (2-1/2")	80mm (3")	100mm (4")	150mm (6")	200mm (8")
JIS	D	100	100	125	140	140	155	175	185	210	285	343
	D1	70	75	90	100	105	120	140	150	175	240	290
	L	140	140	160	180	180	200	240	260	300	400	500
ANSI	n-øe	4-ø15	4-ø15	4-ø19	4-ø19	4-ø19	4-ø19	4-ø19	8-ø19	8-ø19	8-ø23	12-ø23
	D	100	100	108	127	127	152	178	191	229	285	343
	D1	61	70	79	88.9	98	121	140	152	191	241	299
DIN	L	140	140	160	180	180	200	240	260	300	400	500
	n-øe	4-ø16	4-ø16	4-ø16	4-ø16	4-ø16	4-ø19	4-ø19	4-ø19	8-ø19	8-ø23	8-ø23
	D	100	100	115	150	150	165	185	200	220	285	343
DIN	D1	65	75	85	100	110	125	145	160	180	240	295
	L	140	140	160	180	180	200	240	260	300	400	500
	n-øe	4-ø14	4-ø14	4-ø14	4-ø18	4-ø18	4-ø18	4-ø18	8-ø18	8-ø18	8-ø22	8-ø22
T		15	15	17	19	19	20	22	22	24	26	30
H		93	93	117.5	137	137	165	168.5	169	217	285	338

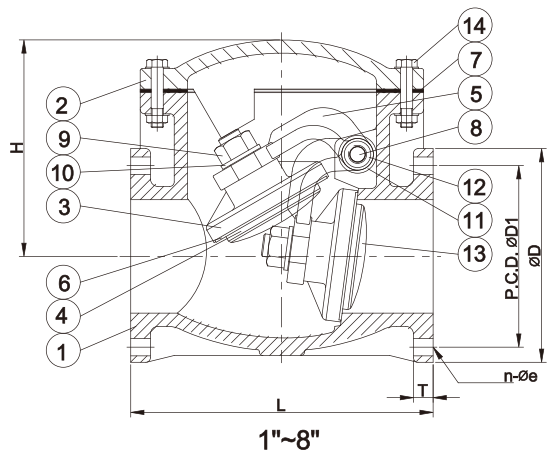
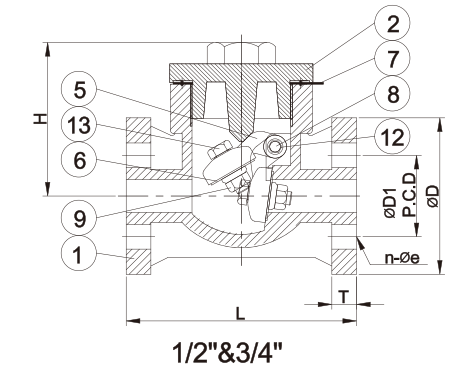
NO.	PART	MATERIAL	Q'TY
1	BODY 本體	HI-PVC, UPVC, CPVC, PP, PVDF	1
2	BONNET 上蓋	HI-PVC, UPVC, CPVC, PP, PVDF	1
3	DISC 擺動盤	HI-PVC, UPVC, CPVC, PP, PVDF	1
4	DISC HOLDER 墊盤 2~8"	HI-PVC, UPVC, CPVC, PP, PVDF	1
5	SWING ARM 擺臂	HI-PVC, UPVC, CPVC, PP, PVDF	1
6	SEAT 止洩圈	EPDM, FPM, NBR, PTFE	1
7	GASKET 本體墊圈	EPDM, FPM, NBR, PTFE	1
8	SHAFT 轉軸	PTFE	1
9	DISC NUT 螺帽	HI-PVC, UPVC, CPVC, PP, PVDF	1
10	DISC WASHER 華司	HI-PVC, UPVC, CPVC, PP, PVDF	1
11	SHEET GASKET 襯墊	EPDM, FPM, NBR, PTFE	1
12	SHEET BOLT 本體螺栓	HI-PVC, UPVC, CPVC, PP, PVDF	1
13	DISC BOLT 墊盤螺栓	HI-PVC, UPVC, CPVC, PP, PVDF	1-8
14	BOLT SETS 螺絲組	STEEL, SUS 304	6-16

Not suggest to installing on dirt/mud piping system
P.S:PVC不建議使用於污泥管路系統

Swing check Valve使用參考壓力和溫度關係
VP-450 Table of Temperature / Water Pressure (Reference only)
Unit: kgf / cm²

Material	U-PVC		CPVC		PP				PVDF		
	EPDM	FPM	EPDM	EPDM	PTFE	PTFE	PTFE	PTFE	PTFE	PTFE	
SIZE °C	0~50	0~50	-10~60	61~90	-20~60	61~80	-20~60	61~80	-20~60	61~80	81~100
15(1/2")	7	6	7	6	7	6	6	5	6	5	4
20(3/4")	7	6	7	6	7	6	6	5	6	5	4
25(1")	7	6	7	6	7	6	6	5	6	5	4
40(1-1/2")	7	6	7	6	7	6	6	5	6	5	4
50(2")	7	6	7	6	7	6	6	5	6	5	4
65(2-1/2")	7	6	7	6	7	6	6	5	6	5	4
80(3")	7	5	7	6	7	6	5	4	5	4	3
100(4")	5	5	5	4	5	4	5	4	5	4	3
150(6")	5	3	5	3	5	4	3	2	3	2.5	2
200(8")	3	3	3	2.5	3	2	3	2	3	2.5	2

Notice with water hammer and surge pressure
P.S:安裝時，特別注意水錘及脈衝現象



VP-460 .470 單由令球型 (終端) 逆止閥

Ball Check (Foot) Valve

- Pressure rating: 1/2"~2-1/2" 150 PSI, 3"~4" 100 PSI @73.4°F (23°C)
- Minimum flow pressure : 2~4 PSI
- Vertically installation, the arrow should be upward.
- Ball sealing design to be able to seal hermetically.
- 工作壓力 : 1/2"~2-1/2" 150 PSI, 3"~4" 100 PSI @73.4°F (23°C)
- 最低開啓壓力 : 2~4 PSI
- 依流向箭頭指示垂直安裝
- 球體逆止設計, 密閉性佳

Type 品號	Size 尺寸	Standard 規格	Material 材質	Seal 止逆座	End type 接口
VP-460	1/2"~4"	ANSI, JIS, DIN	UPVC	EPDM, FPM, NBR	Socket, Threaded, Flanged
VP-461	1/2"~4"	ANSI, JIS, DIN	CPVC	EPDM, FPM, NBR	Socket, Threaded, Flanged
VP-463	1/2"~4"	ANSI, JIS, DIN	PVDF	EPDM, FPM, NBR	Socket, Threaded, Flanged
VP-464	1/2"~4"	ANSI, JIS, DIN	PP	EPDM, FPM, NBR	Socket, Threaded, Flanged
VP-470	1/2"~4"	ANSI, JIS, DIN	UPVC	EPDM, FPM, NBR	Socket, Threaded, Flanged
VP-471	1/2"~4"	ANSI, JIS, DIN	CPVC	EPDM, FPM, NBR	Socket, Threaded, Flanged
VP-473	1/2"~4"	ANSI, JIS, DIN	PVDF	EPDM, FPM, NBR	Socket, Threaded, Flanged
VP-474	1/2"~4"	ANSI, JIS, DIN	PP	EPDM, FPM, NBR	Socket, Threaded, Flanged



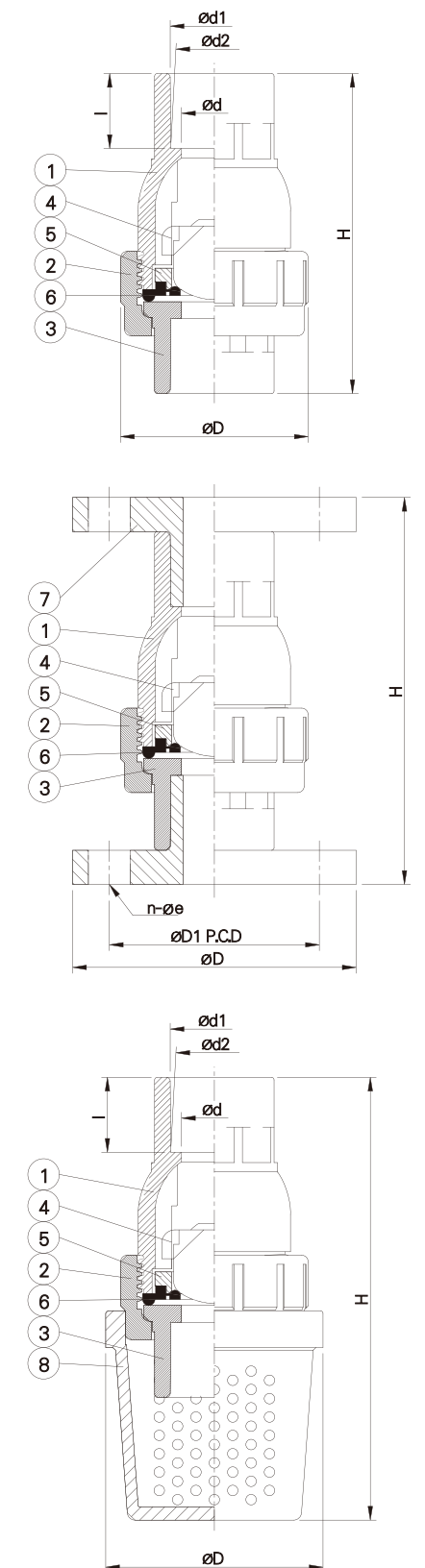
PS:球體亦可為圓形球, 可參考VP-440

Nom.	SIZE	15mm	20mm	25mm	32mm	40mm	50mm	65mm	80mm	100mm
		(1/2")	(3/4")	(1")	(1-1/4")	(1-1/2")	(2")	(2-1/2")	(3")	(4")
JIS	d1	22.3	26.3	32.33	38.43	48.46	60.56	76.6	89.6	114.7
	d2	21.7	25.7	31.67	37.57	47.54	59.44	75.87	88.83	113.77
	I	22.22	25.4	28.6	31.75	34.9	38.1	61	63	69
ANSI	d1 ^{UPVC/CPVC}	21.54	26.87	33.65	42.42	48.56	60.63	73.38	89.31	114.76
	d2 ^{UPVC/CPVC}	21.23	26.57	33.27	42.04	48.11	60.17	72.85	89.28	114.73
	I	22.22	25.4	28.58	31.75	34.93	38.1	44.45	47.63	57.15
DIN	d1	20.3	25.3	32.3	40.3	50.3	63.3	75.35	90.5	110.6
	d2	19.9	24.9	31.9	39.9	49.9	62.9	74.9	89.9	109.9
	I	16	19	22	26	31	38	44	51	61
thd/in	NPT	14	14	11.5	11.5	11.5	11.5	8	8	8
	BSPT	14	14	11	11	11	11	11	11	11
D	50	62	72	97	97	107	163	163	225	
d	13	20	25	36	40	50	70	77	102	
H	93	109	122	155	155	178	262	262	321	

Nom.	SIZE	15mm	20mm	25mm	32mm	40mm	50mm	65mm	80mm	100mm
		(1/2")	(3/4")	(1")	(1-1/4")	(1-1/2")	(2")	(2-1/2")	(3")	(4")
JIS	D	95.5	100	124.5	134.5	140.5	155	175	184.5	209.5
	D1	70	75	90	100	105	120	140	150	175
	n-øe	4-ø15	4-ø15	4-ø19	4-ø19	4-ø19	4-ø19	4-ø19	8-ø19	8-ø19
	H	122	141	154	191	191	218	306	307	364
ANSI	D	89	98	108	117	127	155	178.5	190.5	230
	D1	61	70	79	89	98	121	140	152	191
	n-øe	4-ø16	4-ø16	4-ø16	4-ø16	4-ø16	4-ø19	4-ø19	4-ø19	8-ø19
	H	115	133	150	187	190	216	306	309	369
DIN	D	95.5	100	124.5	134.5	140.5	155	175	184.5	209.5
	D1	65	75	85	100	110	125	145	160	180
	n-øe	4-ø15	4-ø15	4-ø15	4-ø19	4-ø19	4-ø19	4-ø19	8-ø19	8-ø19
	H	122	141	152	191	191	218	306	307	364

Nom.	SIZE	15mm	20mm	25mm	32mm	40mm	50mm	65mm	80mm	100mm
		(1/2")	(3/4")	(1")	(1-1/4")	(1-1/2")	(2")	(2-1/2")	(3")	(4")
JIS	d1	22.3	26.3	32.33	38.43	48.46	60.56	76.6	89.6	114.7
	d2	21.7	25.7	31.67	37.57	47.54	59.44	75.87	88.83	113.77
	I	22.22	25.4	28.6	31.75	34.9	38.1	61	63	69
ANSI	d1 ^{UPVC/CPVC}	21.54	26.87	33.65	42.42	48.56	60.63	73.38	89.31	114.76
	d2 ^{UPVC/CPVC}	21.23	26.57	33.27	42.04	48.11	60.17	72.85	89.28	114.73
	I	22.22	25.4	28.58	31.75	34.93	38.1	44.45	47.63	57.15
DIN	d1	20.3	25.3	32.3	40.3	50.3	63.3	75.35	90.5	110.6
	d2	19.9	24.9	31.9	39.9	49.9	62.9	74.9	89.9	109.9
	I	16	19	22	26	31	38	44	51	61
thd/in	NPT	14	14	11.5	11.5	11.5	11.5	8	8	8
	BSPT	14	14	11	11	11	11	11	11	11
D	60.5	70.7	82.8	110.6	110.6	124	163	163	225	
d	13	20	25	36	40	50	70	77	102	
H	137	154	169	204	204	241	321	321	397	

NO.	PART	MATERIAL	Q'TY
1	BODY 本體	UPVC, CPVC, PP, PVDF	1
2	UNION NUT 螺帽	UPVC, CPVC, PP, PVDF	1
3	END CONNECTOR 外特普	UPVC, CPVC, PP, PVDF	1
4	BALL 球體	UPVC, CPVC, PP, PVDF	1
5	GLAND 卡環	UPVC, CPVC, PP, PVDF	1
6	SEAL 止逆座	EPDM, FPM, NBR	1
7	FLANGE 法蘭片	UPVC, CPVC, PP, PVDF	2
8	FILTER 濾網	UPVC, CPVC, PP, PVDF	1



VP-480 .490 彈簧式 (終端) 逆止閥

Spring Check (Foot) Valve

- Specification: SCH 40
- To install by arrow indication
- Ball sealing design to be able to seal hermetically
- 規格：Schedule 40
- 依流向箭頭指示安裝
- 球體逆止設計，密閉性佳

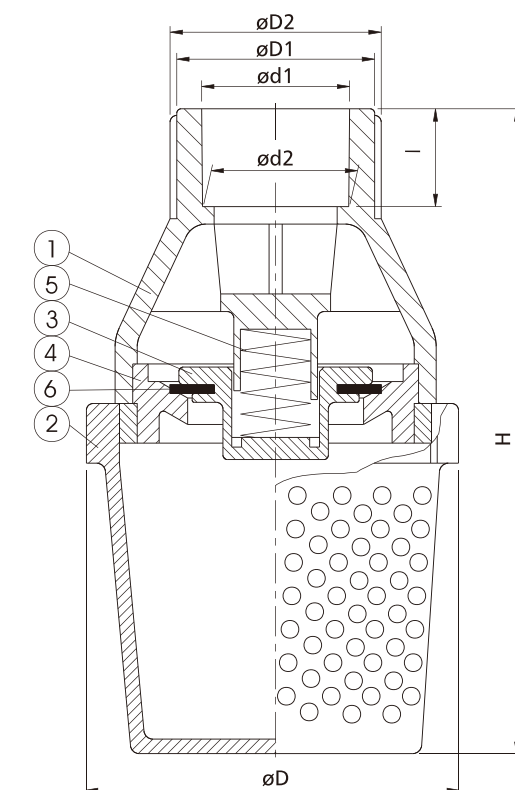
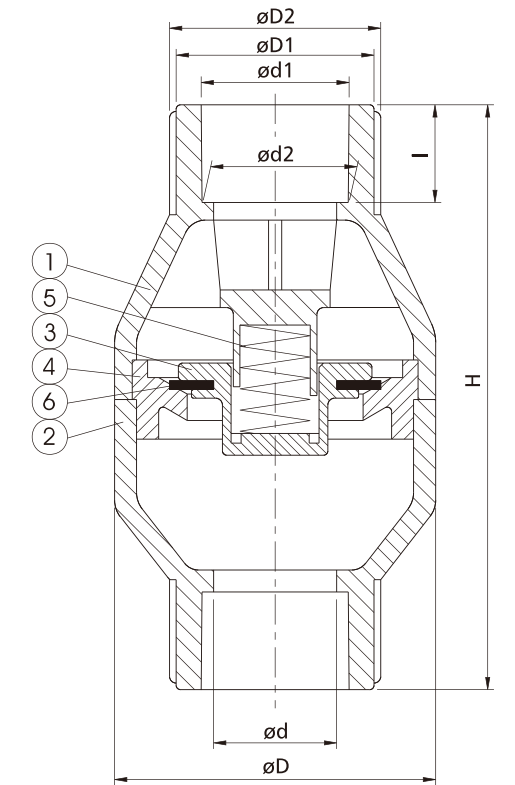
Type 品號	Size 尺寸	Standard 規格	Material 材質	Gasket 墊片	Spring 彈簧	End type 接口
VP-480	1/2"~2"	ANSI, JIS, DIN	UPVC	EPDM, FPM	SUS 304	Socket, Threaded
VP-490	1/2"~2"	ANSI, JIS, DIN	UPVC	EPDM, FPM	SUS 304	Socket, Threaded

Nom.	SIZE	15mm	20mm	25mm	32mm	40mm	50mm
		(1/2")	(3/4")	(1")	(1-1/4")	(1-1/2")	(2")
JIS	d2	21.70	25.70	31.67	37.57	47.54	59.44
	d1	22.30	26.30	32.33	38.43	48.46	60.56
ANSI	d2	21.23	26.57	33.27	42.04	48.11	60.17
	d1	21.54	26.87	33.65	42.42	48.56	60.63
DIN	d2	19.9	24.9	31.9	39.9	49.9	62.9
	d1	20.3	25.3	32.3	40.3	50.3	63.3
thd./in	NPT	14	14	11.5	11.5	11.5	11.5
	BSPT	14	14	11	11	11	11
D		56	56	73	91	91	107
D1		35	35	45	52	60	73
D2		38	38	48	55	63	76
d		17	21	28	35	39	52
H		105	105	133	157	157	178
I	SCH40	17.48	18.26	22.22	23.82	27.38	29.36

NO.	PART	MATERIAL	Q'TY
1	UPPER BODY 上本體	UPVC	1
2	LOWER BODY 下本體	UPVC	1
3	POPPET 中心柱	UPVC	1
4	CONNECTOR 結合體	UPVC	1
5	SPRING 彈簧	SUS 304	1
6	GASKET 墊片	EPDM	1

Nom.	SIZE	15mm	20mm	25mm	32mm	40mm	50mm
		(1/2")	(3/4")	(1")	(1-1/4")	(1-1/2")	(2")
JIS	d2	21.70	25.70	31.67	37.57	47.54	59.44
	d1	22.30	26.30	32.33	38.43	48.46	60.56
ANSI	d2	21.23	26.57	33.27	42.04	48.11	60.17
	d1	21.54	26.87	33.65	42.42	48.56	60.63
DIN	d2	19.9	24.9	31.9	39.9	49.9	62.9
	d1	20.3	25.3	32.3	40.3	50.3	63.3
thd./in	NPT	14	14	11.5	11.5	11.5	11.5
	BSPT	14	14	11	11	11	11
D		60	60	83	83	110	124
D1		35	35	45	52	60	73
D2		38	38	48	55	63	76
d		17	21	28	35	39	52
H		123	123	147	170	170	198
I	SCH40	17.48	18.26	22.22	23.82	27.38	29.36

NO.	PART	MATERIAL	Q'TY
1	BODY 上本體	UPVC	1
2	FILTER 濾網	UPVC	1
3	POPPET 中心柱	UPVC	1
4	CONNECTOR 結合體	UPVC	1
5	SPRING 彈簧	SUS 304	1
6	GASKET 墊片	EPDM	1



VP-620 單邊由令球閥

Single Union Ball Valve

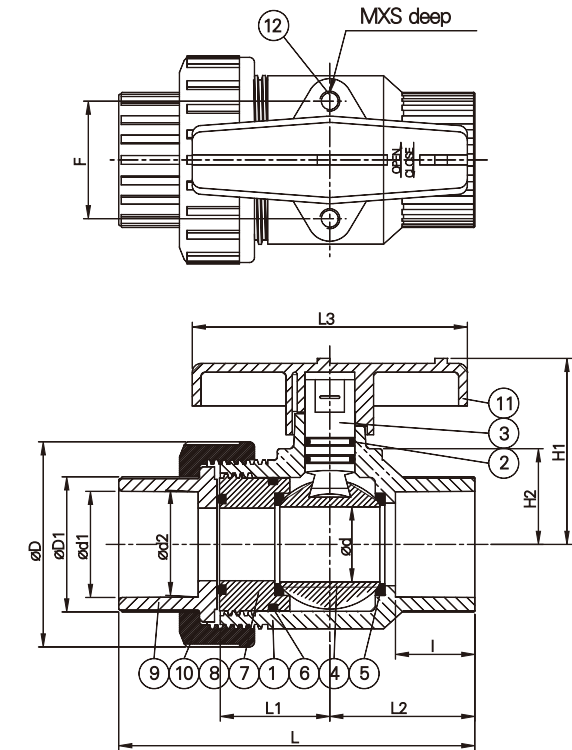
- Pressure rating: 150 PSI @73.4°F (23°C)
- Less flow loss and seal hermetically.
- Fit compactly in spaces
- Actuator could be installed with inserted nut type
- The standard product is without inserted nut
- 工作壓力：150 PSI @73.4°F (23°C)
- 流量損失小，密閉性佳
- 體積小，佔用空間小
- 可埋入銅柱加裝自動控制器
- 標準品不埋入銅柱

Type 品號	Size 尺寸	Standard 規格	Material 材質	Seat 墊座	O-ring O環	End type 接口
VP-620	1/2"~2"	ANSI, JIS, DIN	UPVC	PTFE	EPDM, FPM	Socket, Threaded
VP-621	1/2"~2"	ANSI, JIS, DIN	CPVC	PTFE	EPDM, FPM	Socket, Threaded



SIZE Nom.	15mm (1/2")	20mm (3/4")	25mm (1")	32mm (1-1/4")	40mm (1-1/2")	50mm (2")	
JIS	d1	22.3	26.3	32.33	38.43	48.46	60.56
	d2	21.7	25.7	31.67	37.57	47.54	59.44
	I	22.22	25.4	28.58	31.75	34.93	38.1
ANSI	d1	21.54	26.87	33.65	42.42	48.56	60.63
	d2	21.23	26.57	33.27	42.04	48.11	60.17
	I	22.22	25.4	28.58	31.75	34.93	38.1
DIN	d1	20.3	25.3	32.3	40.3	50.3	63.3
	d2	19.9	24.9	31.9	39.9	49.9	62.9
	I	16	19	22	26	31	38
thd./in	PT	14	14	11	11	11	11
	NPT	14	14	11.5	11.5	11.5	11.5
D	46.5	55	66	82	98	120	
D1	31	37	45	54	65	79	
d	13	18	23	30	38	48	
L	98	115	125	142	153	187	
L1	30	37	39	44	46	56	
L2	41	47	51	57	65	83	
L3	78	92	100	110	121	147	
H1	47	57	66	74	87	106	
H2	21	26	33	38	40	51	
F	30	33	40	47	52	70	
M	M5	M6	M6	M8	M8	M8	
S	8	8	11	11	11	15	

NO.	PART	MATERIAL	Q'TY
1	BODY 本體	UPVC, CPVC	1
2	STEM O-RING 中心O環	EPDM, FPM	2
3	STEM 中心柱	UPVC, CPVC	1
4	BALL 球體	UPVC, CPVC	1
5	SEAT 墊座	PTFE	2
6	CARRIER O-RING 內特普O環	EPDM, FPM	1
7	SEAL CARRIER 內特普	UPVC, CPVC	1
8	UNION O-RING 由令O環	EPDM, FPM	1
9	END CONNECTOR 外特普	UPVC, CPVC	1
10	UNION NUT 螺帽	UPVC, CPVC	1
11	HANDLE 把手	ABS, PP+GF, PP	1
12	INSERTED NUT 本體埋銅	C3604	2



VP-640 雙邊由令球閥

Double Union Ball Valve

- Pressure rating:
150 PSI @73.4°F(23°C)
- Standard port design
- Adjustable seat tightness
- Easy to disassemble by handle
- Less on-line down time for replacement / maintenance
- Actuator could be installed with inserted nut type
- Standard Product is without inserted nut
- 工作壓力：150 PSI @73.4°F(23°C)
- 標準流量設計
- 雙由令設計可同時當由令及閥門使用
- 墊座鬆緊可做適度調整
- 不須使用特殊工具即可快速裝配
- 可埋入銅柱加裝自動控制器
- 標準品未埋入銅柱

Type 品號	Size 尺寸	Standard 規格	Material 材質	Seat 墊座	O-ring O環	End type 接口
VP-640	1/2"~4"	ANSI, JIS, DIN, BS	UPVC	PTFE	EPDM, FPM	Socket, Threaded, Flanged
VP-641	1/2"~4"	ANSI, JIS, DIN, BS	CPVC	PTFE	EPDM, FPM	Socket, Threaded, Flanged
VP-643	1/2"~4"	ANSI, JIS, DIN, BS	PVDF	PTFE	EPDM, FPM	Socket, Threaded, Flanged
VP-644	1/2"~4"	ANSI, JIS, DIN, BS	PP	PTFE	EPDM, FPM	Socket, Threaded, Flanged
VP-645	1/2"~4"	ANSI, JIS, DIN, BS	ABS	PTFE	EPDM, FPM	Socket, Threaded, Flanged

● There is no flanged end for BS



SOCKET

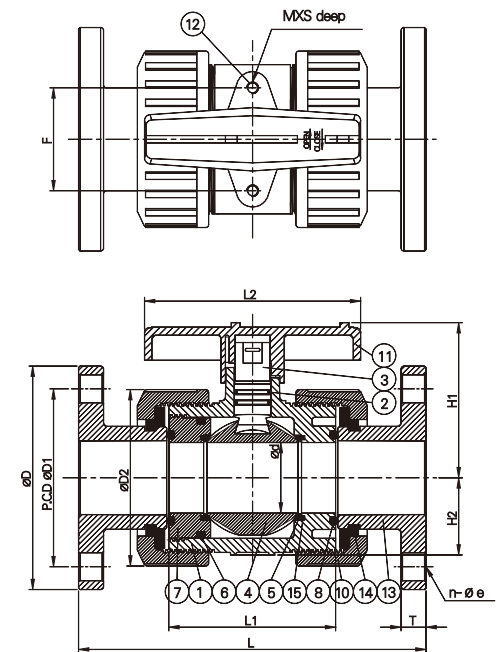
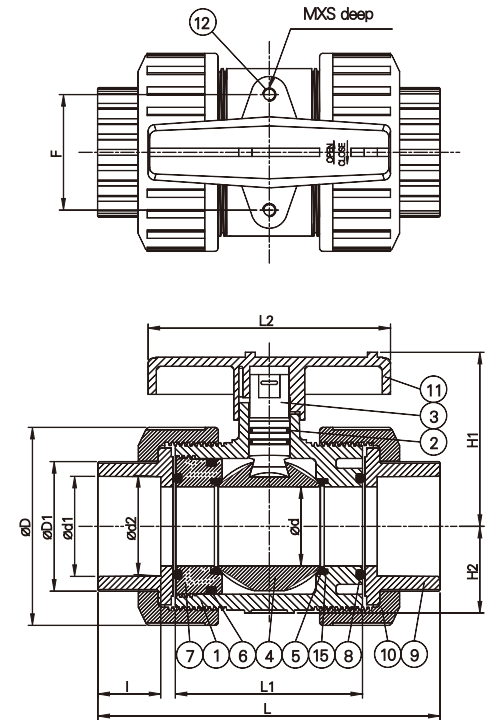
Nom.	SIZE	15mm (1/2")	20mm (3/4")	25mm (1")	32mm (1-1/4")	40mm (1-1/2")	50mm (2")	65mm (2-1/2")	80mm (3")	100mm (4")
JIS	d1	22.3	26.3	32.33	38.43	48.46	60.56	76.6	89.6	114.7
	d2	21.7	25.7	31.67	37.57	47.54	59.44	75.87	88.83	113.77
	I	22.22	25.4	28.58	31.75	34.93	38.1	41.27	44.44	47.61
ANSI	d1	21.54	26.87	33.65	42.42	48.56	60.63	73.38	89.31	114.76
	d2	21.23	26.57	33.27	42.04	48.11	60.17	72.85	88.77	114.04
	I	22.22	25.4	28.58	31.75	34.93	38.1	44.45	47.63	51.15
DIN	d1	20.3	25.3	32.3	40.3	50.3	63.3	75.35	90.5	110.6
	d2	19.9	24.9	31.9	39.9	49.9	62.9	74.9	89.9	109.9
	I	16	19	22	26	31	38	44	51	61
BS	d1	21.7	27.15	33.95	42.65	48.65	60.75	75.75	89.35	114.95
	d2	21	26.35	33.15	41.85	47.85	59.95	74.95	88.45	113.65
	I	22.22	25.4	28.58	31.75	34.93	38.1	44.45	47.63	51.15
thd./in	PT	14	14	11	11	11	11	11	11	11
	NPT	14	14	11.5	11.5	11.5	11.5	8	8	8
D	46.5	55	66	82	98	120	140	163	225	
D1	31	37	45	54	65	79	92	108	146	
d	13	18	23	30	38	48	61	68.5	99	
L	114	135	149	168	175	208	275	304	332	
L1	60	73	79	88	95	114	138	158	176	
L2	78	92	100	110	121	147	180	224	278	
H1	47	57	66	74	87	106	116	130	178	
H2	21	26	33	39	41	53	-	-	-	
F	30	33	40	47	52	70	-	-	-	
M	M5	M6	M6	M8	M8	M8	-	-	-	
S	8	8	11	11	11	15	-	-	-	

NO	PART NAME	MATERIAL	Q'TY
1	BODY 本體	UPVC,CPVC,PP,PVDF,ABS	1
2	STEM O-RING 中心O環	EPDM,FPM	2
3	STEM 中心柱	UPVC,CPVC,PP,PVDF,ABS	1
4	BALL 球體	UPVC,CPVC,PP,PVDF,ABS	1
5	SEAT 墊座	PTFE	2
6	CARRIER O-RING 內特普O環	EPDM,FPM	1
7	SEAL CARRIER 內特普	UPVC,CPVC,PP,PVDF,ABS	1
8	UNION O-RING 由令O環	EPDM,FPM	2
9	END CONNECTOR 外特普	UPVC,CPVC,PP,PVDF,ABS	2
10	UNION NUT 螺帽	UPVC,CPVC,PP,PVDF,ABS	2
11	HANDLE 把手	ABS,PP+GF,PP	1
12	INSERTED NUT 本體埋銅	C3604	2,4
15	SEAT O-RING 墊座O環	EPDM,FPM	2

FLANGE

Nom.	SIZE	15mm (1/2")	20mm (3/4")	25mm (1")	32mm (1-1/4")	40mm (1-1/2")	50mm (2")	65mm (2-1/2")	80mm (3")	100mm (4")	
JIS	D	95	100	125	135	140	155	175	185	210	
	D1	70	75	90	100	105	120	140	150	175	
	L	143	172	187	190	212	234	259	304	372	
	n-øe	4-ø15	4-ø15	4-ø19	4-ø19	4-ø19	4-ø19	4-ø19	8-ø19	8-ø19	
	T	13	15	15	16	16	16.5	18	19	19	
ANSI	D	89	98	108	117	127	152	178	191	229	
	D1	61	70	79	89	99	121	140	152	191	
	L	143	172	187	190	212	234	259	304	372	
	n-øe	4-ø16	4-ø16	4-ø16	4-ø16	4-ø16	4-ø19	4-ø19	4-ø19	8-ø19	
	T	13	15	15	16	17	17	18	19	20	
DIN	D	95	105	115	140	150	165	185	200	220	
	D1	65	75	85	100	110	125	145	160	180	
	L	130	150	160	180	200	230	290	310	350	
	n-øe	4-ø14	4-ø14	4-ø14	4-ø18	4-ø18	4-ø18	4-ø18	8-ø18	8-ø18	
	T	18.5	20	20	20	20	22	22.5	22.5	24	
D2	46.5	55	66	82	98	120	140	163	225		
d	13	18	23	30	38	48	61	68.5	99		
L1	60	73	79	88	95	114	138	158	176		
L2	78	92	100	110	121	147	180	224	278		
H1	47	57	66	74	87	106	116	130	178		
H2	21	26	33	39	41	53	-	-	-		
F	30	33	40	47	52	70	-	-	-		
M	M5	M6	M6	M8	M8	M8	-	-	-		
S	8	8	11	11	11	15	-	-	-		

NO	PART NAME	MATERIAL	Q'TY
1	BODY 本體	UPVC,CPVC,PP,PVDF,ABS	1
2	STEM O-RING 中心O環	EPDM,FPM	2
3	STEM 中心柱	UPVC,CPVC,PP,PVDF,ABS	1
4	BALL 球體	UPVC,CPVC,PP,PVDF,ABS	1
5	SEAT 墊座	PTFE	2
6	CARRIER O-RING 內特普O環	EPDM,FPM	1
7	SEAL CARRIER 內特普	UPVC,CPVC,PP,PVDF,ABS	1
8	UNION O-RING 由令O環	EPDM,FPM	2
10	UNION NUT 螺帽	UPVC,CPVC,PP,PVDF,ABS	2
11	HANDLE 把手	ABS,PP+GF,PP	1
12	INSERTED NUT 本體埋銅	C3604	2,4
13	FLANGE 法蘭片	UPVC,CPVC,PP,PVDF,ABS	2
14	SET RING 卡環	UPVC,CPVC,PP,PVDF,ABS	2
15	SEAT O-RING 墊座O環	EPDM,FPM	2



VP-640 雙邊由令球閥 (N1把手)

Double Union Ball Valve (N1 HANDLE)

- Pressure rating:
150 PSI @73.4°F(23°C)
- Standard port design
- Adjustable seat tightness
- Easy to disassemble by handle
- Less on-line down time for replacement / maintenance
- Actuator could be installed with inserted nut type
- Standard Product is without inserted nut
- 工作壓力：150 PSI @73.4°F(23°C)
- 標準流量設計
- 雙由令設計可同時當由令及閥門使用
- 墊座鬆緊可做適度調整
- 不須使用特殊工具即可快速裝配
- 可埋入銅柱加裝自動控制器
- 標準品未埋入銅柱

Type 品號	Size 尺寸	Standard 規格	Material 材質	Seat 墊座	O-ring O環	End type 接口
VP-640	1/2"~4"	ANSI, JIS, DIN	UPVC	PTFE	EPDM, FPM	Socket, Threaded, Flanged
VP-641	1/2"~4"	ANSI, JIS, DIN	CPVC	PTFE	EPDM, FPM	Socket, Threaded, Flanged
VP-644	1/2"~4"	ANSI, JIS, DIN	PP	PTFE	EPDM, FPM	Socket, Threaded, Flanged



SOCKET

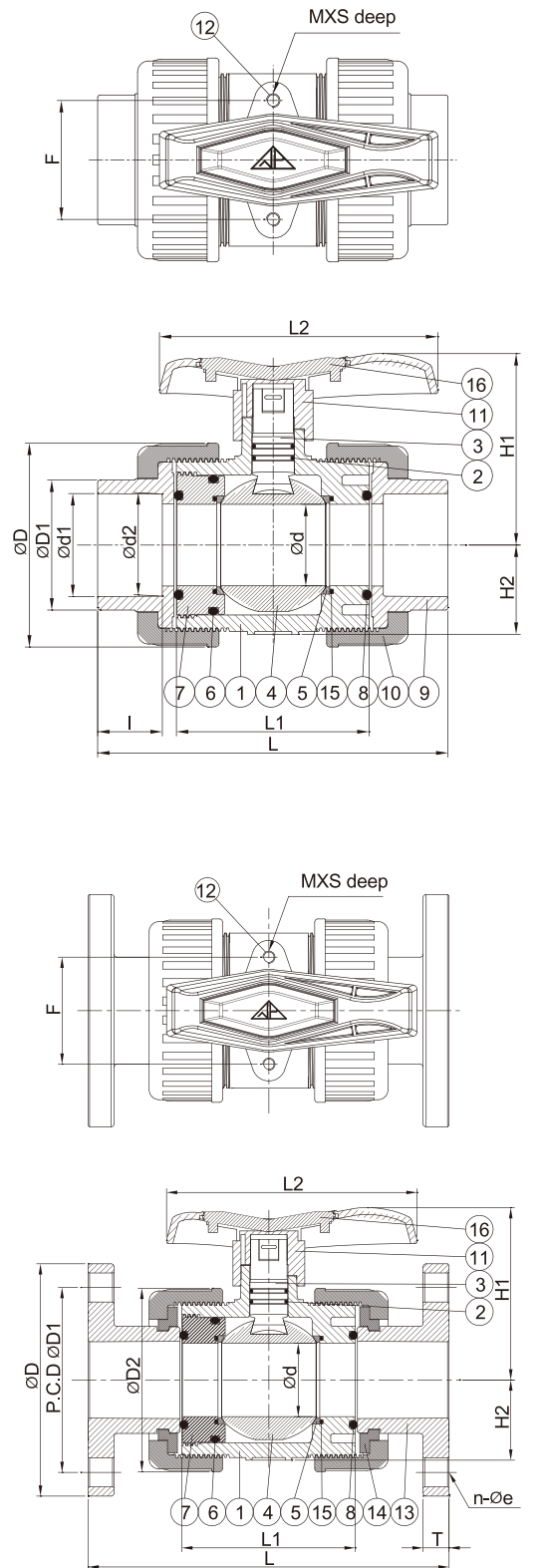
Nom.	SIZE	15mm (1/2")	20mm (3/4")	25mm (1")	32mm (1-1/4")	40mm (1-1/2")	50mm (2")	65mm (2-1/2")	80mm (3")	100mm (4")
JIS	d1	22.3	26.3	32.33	38.43	48.46	60.56	76.6	89.6	114.7
	d2	21.7	25.7	31.67	37.57	47.54	59.44	75.87	88.83	113.77
ANSI	d1	22.22	25.4	28.58	31.75	34.93	38.1	44.45	47.63	57.15
	d2	21.54	26.87	33.65	42.42	48.56	60.63	73.38	88.26	114.23
DIN	d1	21.23	26.57	33.27	42.04	48.11	60.17	72.85	88.7	114.1
	d2	22.22	25.4	28.58	31.75	34.93	38.1	44.45	47.63	57.15
thd./in	NPT	14	14	11.5	11.5	11.5	11.5	8	8	8
	BSPT	14	14	11	11	11	11	11	11	11
D		46.3	55.5	66.5	82	98.5	120	140	163	225
D1		31.3	37.3	44.8	53.8	64	78	91.5	107.5	145.5
d		13	18	23	30	38	48	61	68.5	99
L		114	135	149	170	176	207	275	304	332
L1		60	73	79	88	95	114	138	158	176
L2		77	95	110	127	143	164	180	225	250.5
H1		46	57	70	75	94	113	127.5	145	182
H2		21	26	33	39	41	53	-	-	-
F		30	33	40	47	52	70	-	-	-
M		M5	M6	M6	M8	M8	M8	-	-	-
S		8	8	11	11	11	15	-	-	-

NO	PART NAME	MATERIAL	Q'TY
1	BODY 本體	UPVC,CPVC,PP	1
2	STEM O-RING 中心O環	EPDM,FPM	2
3	STEM 中心柱	UPVC,CPVC,PP	1
4	BALL 球體	UPVC,CPVC,PP	1
5	SEAT 墊座	PTFE	2
6	CARRIER O-RING 內特普O環	EPDM,FPM	1
7	SEAL CARRIER 內特普	UPVC,CPVC,PP	1
8	UNION O-RING 由令O環	EPDM,FPM	2
9	END CONNECTOR 外特普	UPVC,CPVC,PP	2
10	UNION NUT 螺帽	UPVC,CPVC,PP	2
11	HANDLE 把手	ABS	1
12	INSERTED NUT 本體埋銅	C3604	2,4
15	SEAT O-RING 墊座O環	EPDM,FPM	2
16	HANDLE COVER 把手蓋	ABS	1

FLANGE

Nom.	SIZE	15mm (1/2")	20mm (3/4")	25mm (1")	32mm (1-1/4")	40mm (1-1/2")	50mm (2")	65mm (2-1/2")	80mm (3")	100mm (4")
JIS	D	95	100	125	135	140	155	175	185	210
	D1	70	75	90	100	105	120	140	150	175
ANSI	L	143	172	187	190	212	234	259	304	372
	n-øe	4-ø15	4-ø15	4-ø19	4-ø19	4-ø19	4-ø19	4-ø19	8-ø19	8-ø19
DIN	T	13	15	15	16	16	16.5	18	19	19
	D	89	98	108	117	127	152	178	191	229
DIN	D1	61	70	79	89	99	121	140	152	191
	L	143	172	187	190	212	234	259	304	372
DIN	n-øe	4-ø16	4-ø16	4-ø16	4-ø16	4-ø16	4-ø19	4-ø19	4-ø19	8-ø19
	T	13	15	15	16	17	17	18	19	20
DIN	D	95	105	115	140	150	165	185	200	220
	D1	65	75	85	100	110	125	145	160	180
DIN	L	130	150	160	180	200	230	290	310	350
	n-øe	4-ø14	4-ø14	4-ø14	4-ø18	4-ø18	4-ø18	4-ø18	8-ø18	8-ø18
DIN	T	18.5	20	20	20	20	22	22.5	22.5	24
	D2	46.3	55.5	66.5	82	98.5	120	140	163	225
DIN	d	13	18	23	30	38	48	61	68.5	99
	L1	60	73	79	88	95	114	138	158	176
DIN	L2	77	95	110	127	143	164	180	225	250.5
	H1	46	57	70	75	94	113	127.5	145	182
DIN	H2	21	26	33	39	41	53	-	-	-
	F	30	33	40	47	52	70	-	-	-
DIN	M	M5	M6	M6	M8	M8	M8	-	-	-
	S	8	8	11	11	11	15	-	-	-

NO	PART NAME	MATERIAL	Q'TY
1	BODY 本體	UPVC,CPVC,PP	1
2	STEM O-RING 中心O環	EPDM,FPM	2
3	STEM 中心柱	UPVC,CPVC,PP	1
4	BALL 球體	UPVC,CPVC,PP	1
5	SEAT 墊座	PTFE	2
6	CARRIER O-RING 內特普O環	EPDM,FPM	1
7	SEAL CARRIER 內特普	UPVC,CPVC,PP	1
8	UNION O-RING 由令O環	EPDM,FPM	2
10	UNION NUT 螺帽	UPVC,CPVC,PP	2
11	HANDLE 把手	ABS	1
12	INSERTED NUT 本體埋銅	C3604	2,4
13	FLANGE 法蘭片	UPVC,CPVC,PP	2
14	SET RING 卡環	UPVC,CPVC,PP	2
15	SEAT O-RING 墊座O環	EPDM,FPM	2
16	HANDLE COVER 把手蓋	ABS	1



VP-640 雙邊法蘭球閥

Double Flange Ball Valve

- Pressure rating:

150 PSI @73.4°F(23°C)

- Standard port design

- Less on-line down time for replacement / maintenance

- Torque is not adjustable

- 工作壓力：150 PSI @73.4°F(23°C)

- 標準流量設計

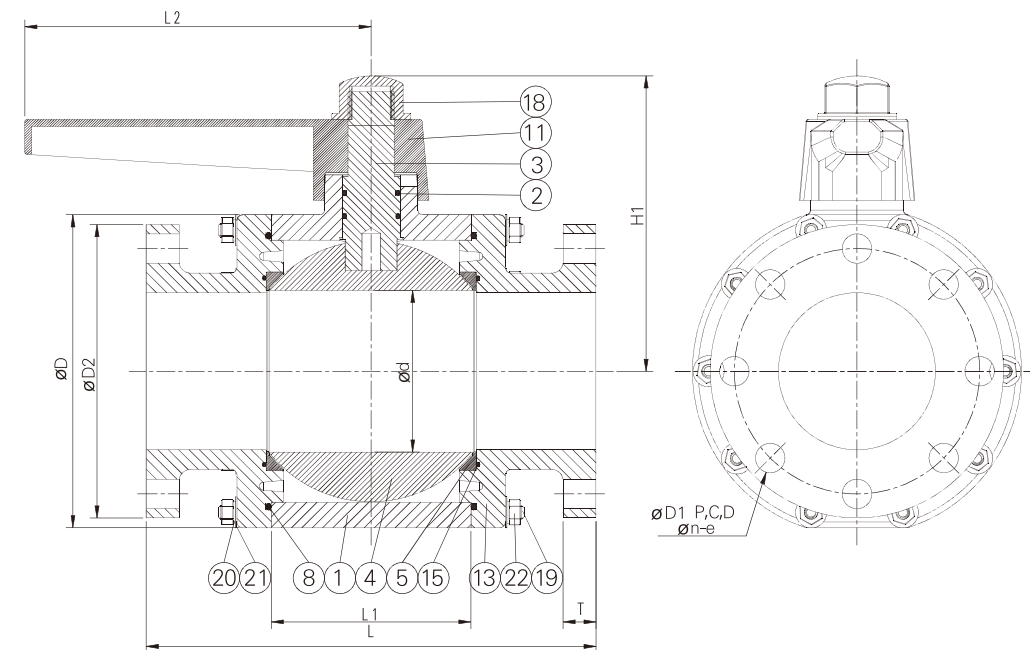
- 不須使用特殊工具即可快速裝配

- 扭力不可調整

Type 品號	Size 尺寸	Standard 規格	Material 材質	Seat 墊座	O-ring O環	End type 接口
VP-640	5"~6"	ANSI, JIS, DIN	UPVC	PTFE	EPDM, FPM	Flanged
VP-641	5"~6"	ANSI, JIS, DIN	CPVC	PTFE	EPDM, FPM	Flanged

Nom.	SIZE	125mm (5")	150mm (6")
		D1	210
JIS	n-øe	8-ø23	8-ø23
ANSI	D1	216	241
	n-øe	8-ø23	8-ø23
DIN	D1	210	240
	n-øe	8-ø18	8-ø22
	D	271	271
	D2	254	280
	d	140	140
	L	387	391
	L1	173	173
	L2	300	300
	T	27	29
	H1	255	255

NO	PART NAME	MATERIAL	Q'TY
1	BODY 本體	UPVC, CPVC	1
2	STEM O-RING 中心O環	EPDM, FPM	2
3	STEM 中心柱	UPVC, CPVC	1
4	BALL 球體	UPVC, CPVC	1
5	SEAT 墊座	PTFE	2
8	FLANGE O-RING 法蘭片O環	EPDM, FPM	2
11	HANDLE 把手	ABS, PP+GF	1
13	FLANGE 法蘭片	UPVC, CPVC	2
15	SEAT O-RING 墊座O環	EPDM, FPM	2
18	NUT 塑膠螺帽	UPVC, CPVC	1
19	DOUBLE ARMING BOLT 雙頭螺栓	SUS304	10
20	SPRING WASHER 彈簧華司	SUS304	20
21	WASHER 平華司	SUS304	20
22	NUT 螺帽	SUS304	20



VP-680 .690 Pneumatic / Electric Actuator Double Union Ball Valve

氣動式/電動式雙由令球閥

- Pressure rating: 150 PSI @73.4°F(23°C)
- Pneumatic actuator specification meets with ISO 5211, DIN 3337, VDI / VDE 3845, NAMUR, easy to assemble solenoid valve, limit switches and other accessories.
- For double acting and spring return actuators, the maximum supply pressure is 8 Bar(116PSI), minimum supply pressure is 2.5 Bar(36PSI) (Refer to actuator manufacturer's data if necessary)
- Electric actuator operation voltage 1-phase 110 / 220 V 3-phase 220 / 380 / 460 V
- Electric actuator could manually operate w/o clutch and break
- 工作壓力：150 PSI @73.4°F(23°C)
- 氣動驅動器建議最大進氣壓力 8 Bar(116PSI), 最小 2.5 Bar(36PSI)
- 氣動驅動器規格符合：ISO 5211, DIN 3337, VDI / VDE 3845, NAMUR可加裝電磁閥、微動開關及其他附屬配件。
- 操作電壓：AC單相 110 / 220V, 三相 220 / 380 / 460V
- 電動換手動操作時，不須離合器及煞車即可操作 (詳細資料可參考氣壓缸製造商資料)

Type 品號	Size 尺寸	Standard 規格	Material 材質	Seat 墊座	O-ring 環	End type 接口
VP-680	1/2"~6"	ANSI, JIS, DIN, BS	UPVC	PTFE	EPDM, FPM	Socket, Threaded, Flanged
VP-681	1/2"~6"	ANSI, JIS, DIN, BS	CPVC	PTFE	EPDM, FPM	Socket, Threaded, Flanged
VP-683	1/2"~4"	ANSI, JIS, DIN, BS	PVDF	PTFE	EPDM, FPM	Socket, Threaded, Flanged
VP-684	1/2"~4"	ANSI, JIS, DIN, BS	PP	PTFE	EPDM, FPM	Socket, Threaded, Flanged
VP-685	1/2"~4"	ANSI, JIS, DIN, BS	ABS	PTFE	EPDM, FPM	Socket, Threaded, Flanged

● 5" & 6" are double flange ball valve 5"~6" 為雙邊法蘭

Type 品號	Size 尺寸	Standard 規格	Material 材質	Seat 墊座	O-ring 環	End type 接口
VP-690	1/2"~4"	ANSI, JIS, DIN, BS	UPVC	PTFE	EPDM, FPM	Socket, Threaded, Flanged
VP-691	1/2"~4"	ANSI, JIS, DIN, BS	CPVC	PTFE	EPDM, FPM	Socket, Threaded, Flanged
VP-693	1/2"~4"	ANSI, JIS, DIN, BS	PVDF	PTFE	EPDM, FPM	Socket, Threaded, Flanged
VP-694	1/2"~4"	ANSI, JIS, DIN, BS	PP	PTFE	EPDM, FPM	Socket, Threaded, Flanged
VP-695	1/2"~4"	ANSI, JIS, DIN, BS	ABS	PTFE	EPDM, FPM	Socket, Threaded, Flanged

● There is no flanged end for BS

SIZE	PNEUMATIC ACTUATOR	
	DOUBLE ACTING	SPRING RETURN
1/2"	AT045UDA	AT045USR
3/4"	AT045UDA	AT045USR
1"	AT045UDA	AT051USR
1-1/4"	AT045UDA	AT051USR
1-1/2"	AT045UDA	AT051USR
2"	AT101UDA	AT201USR
2-1/2"	AT201UDA	AT251USR
3"	AT201UDA	AT351USR
4"	AT301UDA	AT401USR
5"~6"	AT401UDA	AT501USR

SIZE	ELECTRIC ACTUATOR	
	WITH HANDWHEEL	WITHOUT HANDWHEEL
1/2"	OM2	OM1
3/4"	OM2	OM1
1"	OM2	OM1
1-1/4"	OM2	OM1
1-1/2"	OM2	OM1
2"	OM2	OMA
2-1/2"	OM3	BM2
3"	OM3	BM2
4"	OM4	-

ELECTRIC ACTUATOR	Single-phase		Three-phase		
	110V	220V	220V	380V	440V
BM2	V	V	V	V	V
OM1	V	V	X	X	X
OMA	V	V	X	X	X
OM2	V	V	V	V	V
OM3	V	V	V	V	V
OM4	V	V	V	V	V

備註：
1. 上述氣動及電動驅動器(Actuator)搭配型號及圖形僅供參考，可依客戶需求選用。
2. 相關規格資料歡迎進一步向本公司洽詢。



1/2"~4" 本體尺寸表/Body dimension

Nom.	SIZE	15mm (1/2")	20mm (3/4")	25mm (1")	32mm (1-1/4")	40mm (1-1/2")	50mm (2")	65mm (2-1/2")	80mm (3")	100mm (4")
		JIS	d1	22.3	26.3	32.33	38.43	48.46	60.56	76.6
	d2	21.7	25.7	31.67	37.57	47.54	59.44	75.87	88.83	113.77
	I	22.22	25.4	28.58	31.75	34.93	38.1	41.27	44.44	47.61
ANSI	d1	21.54	26.87	33.65	42.42	48.56	60.63	73.38	89.31	114.76
	d2	21.23	26.57	33.27	42.04	48.11	60.17	72.85	88.7	114.1
DIN	I	22.22	25.4	28.58	31.75	34.93	38.1	41.27	44.44	47.61
	d1	20.3	25.3	32.3	40.3	50.3	63.3	75.35	90.5	110.6
	d2	19.9	24.9	31.9	39.9	49.9	62.9	74.9	89.9	109.9
BS	I	16	19	22	26	31	38	44	51	61
	d1	21.7	27.15	33.95	42.65	48.65	60.75	-	-	-
	d2	21	26.35	33.15	41.85	47.85	59.95	-	-	-
	I	22.22	25.4	28.58	31.75	34.95	38.1	-	-	-
thd./in.	NPT	14	14	11.5	11.5	11.5	8	8	8	8
	PT	14	14	11	11	11	11	11	11	11
D	46.5	55	66	82	98	120	140	163	225	
D1	31	37	45	54	65	79	92	108	146	
d	13	18	23	30	38	48	61	69	99	
L	114	135	149	168	175	208	275	304	332	
L1	60	73	79	88	95	114	138	158	176	

1/2"~4" 氣動式/Pneumatic Actuator Type

NO.	PART	MATERIAL	QTY
1	BODY 本體	UPVC, CPVC, PP, PVDF, ABS	1
2	STEM O-RING 中心O環	EPDM, FPM	2
3	STEM 中心柱	UPVC, CPVC, PP, PVDF, ABS	1
4	BALL 球體	UPVC, CPVC, PP, PVDF, ABS	1
5	SEAT 墊座	PTFE	2
6	CARRIER O-RING 內特普O環	EPDM, FPM	1
7	SEAL CARRIER 內特普	UPVC, CPVC, PP, PVDF, ABS	1
8	UNION O-RING 由令O環	EPDM, FPM	2
9	END CONNECTOR 外特普	UPVC, CPVC, PP, PVDF, ABS	2
10	UNION NUT 螺帽	UPVC, CPVC, PP, PVDF, ABS	2
11	PNEUMATIC ACTUATOR 氣壓缸	EXTRUDED ALUMINUM ALLOY	1
12	MOUNTING PAD 固定架	SUS	1
13	COUPLING 連接頭	SUS	1
14	SUPPORT (2 1/2"~4") 支撐架	UPVC, CPVC	2
15	GASKET (2 1/2"~4") 墊片	EPDM	2

1/2"~4" 電動式/Electric Actuator Type

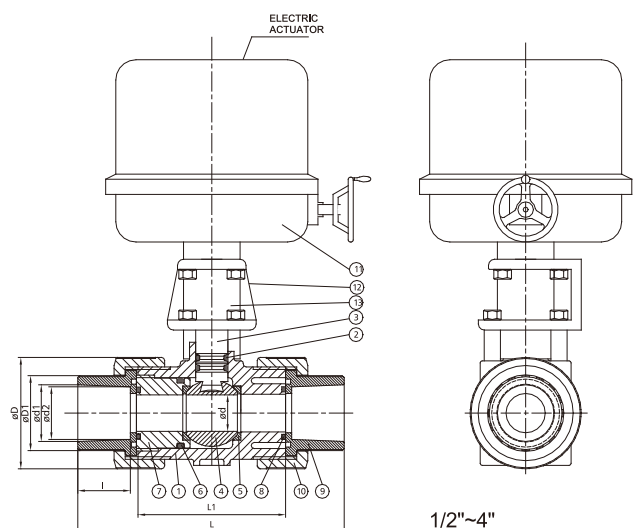
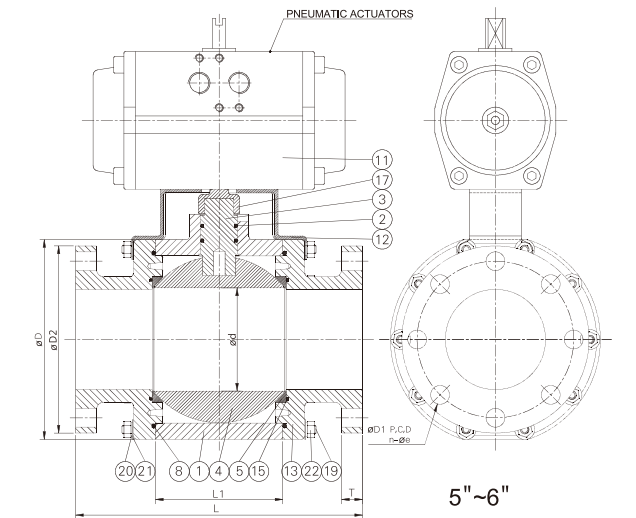
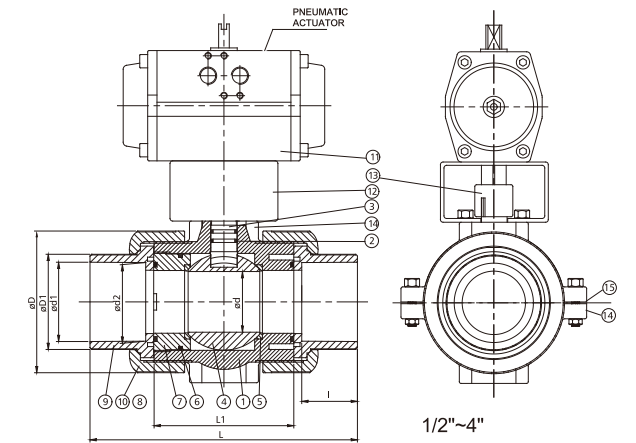
NO.	PART	MATERIAL	QTY
1	BODY 本體	UPVC, CPVC, PP, PVDF, ABS	1
2	STEM O-RING 中心O環	EPDM, FPM	2
3	STEM 中心柱	UPVC, CPVC, PP, PVDF, ABS	1
4	BALL 球體	UPVC, CPVC, PP, PVDF, ABS	1
5	SEAT 墊座	PTFE	2
6	CARRIER O-RING 內特普O環	EPDM, FPM	1
7	SEAL CARRIER 內特普	UPVC, CPVC, PP, PVDF, ABS	1
8	UNION O-RING 由令O環	EPDM, FPM	2
9	END CONNECTOR 外特普	UPVC, CPVC, PP, PVDF, ABS	2
10	UNION NUT 螺帽	UPVC, CPVC, PP, PVDF, ABS	2
11	ELECTRIC ACTUATOR 電動箱	ALUMINUM ALLOY POWDER COATED	1
12	MOUNTING PAD 固定架	SUS	1
13	COUPLING 連接頭	SUS	1

5"~6" 本體尺寸表/Body dimension 雙邊法蘭

Nom.	SIZE	125mm (5")	150mm (6")
		JIS	D1
	flange	8~23	8~23
ANSI	D1	216	241
	flange	8~23	8~23
DIN	D1	210	240
	flange	8~18	8~22
D	271	271	
D2	254	280	
d	140	140	
L	387	391	
L1	173	173	
T	27	29	

5"~6" 氣動式/Pneumatic Actuator Type

NO	PART NAME	MATERIAL	QTY
1	BODY 本體	UPVC, CPVC	1
2	STEM O-RING 中心O環	EPDM, FPM	2
3	STEM 中心柱	UPVC, CPVC	1
4	BALL 球體	UPVC, CPVC	1
5	SEAT 墊座	PTFE	2
6	FLANGE O-RING 法蘭片O環	EPDM, FPM	2
11	PNEUMATIC ACTUATOR 氣壓缸	EXTRUDED ALUMINUM ALLOY	1
12	MOUNTING PAD 固定架	SUS	1
13	FLANGE 法蘭片	UPVC, CPVC	2
15	SEAT O-RING 墊座O環	EPDM, FPM	2
17	COUPLING 連接頭	SUS	1
19	DOUBLE ARMING BOLT 雙頭螺絲	SUS304	10
20	SPRING WASHER 彈簧華司	SUS304	20
21	WASHER 平華司	SUS304	20
22	NUT 螺帽	SUS304	20



VP-710 法蘭式隔膜閥

Diaphragm Valve (Flanged)

- Pressure rating: 1/2"~3" 150 PSI, 4"~6" 72 PSI, 8" 43 PSI @73.4°F(23°C)

(Working pressure is varified by diaphragm material and working temperature.)

- Smooth operation with clear indication of opening / closing through the gauge cover
- Low maintenance cost with replaceable diaphragm and long service life
- Adjustable stopper can avoid over tightness.
- Alternative material for stem and sleeve: SUS 304 / 316
- 工作壓力：1/2"~3" 150 PSI, 4"~6" 72 PSI, 8" 43PSI @73.4°F(23°C)
(因DIAPHRAGM之材質、工作溫度不同而壓力會不同)
- 關閉程度可清楚於透明罩上顯示
- 膜片可替換，保養管理容易
- 可調整的阻擋螺帽設計，可以防止關閉時手輪之壓力過當
- 法蘭片底部有平面設計，便於安裝及放置
- 中心柱及套筒可選用 SUS 304 / 316 材質

Type 品號	Size 尺寸	Standard 規格	Material 材質	Gasket 墊片	O-ring O環	Diaphragm 隔膜片	End type 接口	Bolt 螺栓
VP-710	1/2"~8"	ANSI, JIS, DIN	UPVC	EPDM	NBR	EPDM, FPM, PTFE	Flanged	SUS 304 / 316
VP-711	1/2"~8"	ANSI, JIS, DIN	CPVC	EPDM	NBR	EPDM, FPM, PTFE	Flanged	SUS 304 / 316
VP-713	1/2"~8"	ANSI, JIS, DIN	PVDF	EPDM	NBR	EPDM, FPM, PTFE	Flanged	SUS 304 / 316
VP-714	1/2"~8"	ANSI, JIS, DIN	PP	EPDM	NBR	EPDM, FPM, PTFE	Flanged	SUS 304 / 316



Caution!

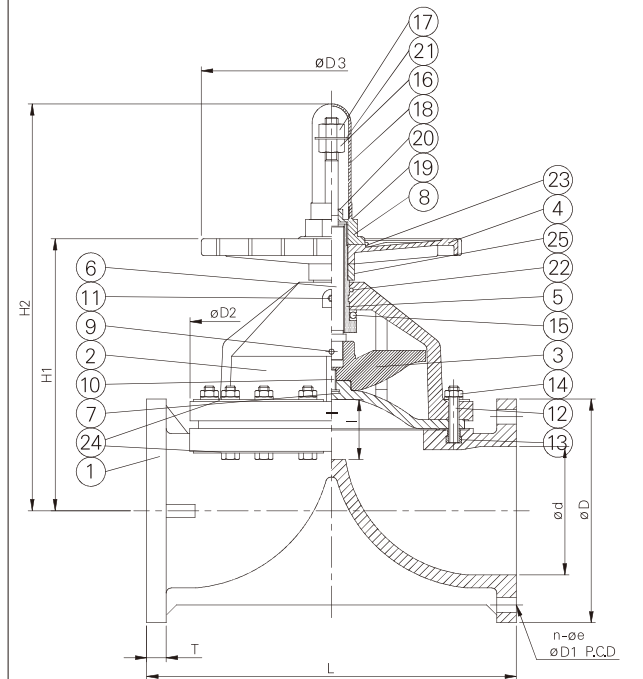
- (1) After installed, should inspect the set nut and stopper (above the stem) frequently, to make sure the nuts are tight.
- (2) The valve is completely closed when handwheel can't turn more with normal torque, but it will cause the unrecoverable divulsion of diaphragm if the handwheel is continuously forced to turn in such above condition!

注意!

- (1) 安裝使用中，應常檢視中心柱上端開度指示螺帽組需保持無鬆動狀態
- (2) 手輪正常旋緊至無法繼續時即代表閥門已完全關閉，切勿再強迫旋轉避產生無法修復之膜片撕裂現象！

SIZE	15mm (1/2")	20mm (3/4")	25mm (1")	40mm (1-1/2")	50mm (2")	65mm (2-1/2")	80mm (3")	100mm (4")	125mm (5")	150mm (6")	200mm (8")
JIS	D 95	100	125	140	155	175	185	210	250	291	343
	D1 70	75	90	105	120	140	150	175	210	240	290
	n-øe 4-ø15	4-ø15	4-ø19	4-ø19	4-ø19	4-ø19	8-ø19	8-ø19	8-ø23	8-ø23	12-ø23
	L 110	120	130	180	210	250	280	340	410	480	570
ANSI	D 89	98	108	127	152	178	191	229	250	291	343
	D1 61	70	79	98	121	140	152	191	216	241	299
	n-øe 4-ø16	4-ø16	4-ø16	4-ø16	4-ø19	4-ø19	4-ø19	8-ø19	8-ø23	8-ø23	8-ø23
	L 108	150	150	176	202	250	264	329	410	480	570
DIN	D 95	105	115	150	165	185	200	220	250	291	343
	D1 65	75	85	110	125	145	160	180	210	240	295
	n-øe 4-ø14	4-ø14	4-ø14	4-ø18	4-ø18	4-ø18	8-ø18	8-ø18	8-ø18	8-ø22	8-ø22
	L 130	150	160	200	230	290	310	350	410	480	570
JIS T	UPVC, CPVC	12	13	13	16	20	22	22	24	25	30
	PP, PVDF	12	13	13	16	20	23	22	25	25	30
ANSI T	UPVC, CPVC	13	15	13	17	17	20	22	24	25	30
	PP, PVDF	13	15	13	18	18	21	22	25	25	30
DIN T	UPVC, CPVC	20	20	20	20	22	22	24	24	25	30
	PP, PVDF	20	20	20	20	22	22	24	24	25	30
D2	54×70	63×78	63×88	125	148	182	203	255	330	392	432
D3	95	95	110	150	150	210	210	250	405	405	405
d	13	18	25	41	52	67	78	100	125	148	198
H1	85	94	98	130	148	189	250	275	334	334	450
H2	130	137	160	200	225	268	343	383	476	476	627
I	10	12	15	22	31	39	48	60	70	70	95

NO	PART	MATERIAL	Q'TY
1	BODY 本體	UPVC, CPVC, PVDF, PP	1
2	BONNET 上蓋	UPVC, CPVC, PVDF, PP, PP+GF	1
3	COMPRESSOR 壓縮體	PP+GF, PVDF	1
4	HANDWHEEL 把手輪	PP	1
5	SLEEVE 中心套筒	C3602, SUS	1
6	STEM 中心柱	C3602, SUS	1
7	DIAPHRAGM 隔膜片	EPDM, FPM, PTFE	1
8	CAP 迫緊螺帽	UPVC, CPVC, PVDF, PP, PP+GF	1
9	COMPRESSOR PIN 彈簧銷	SUS304	1
10	INSERTED METAL 膜片螺絲	C3602, SUS	1
11	GREASE NIPPLE 黃油嘴	C3602 2-1/2"~8"	1
12	BOLT&WASHER 螺絲組	SUS304, SUS316	1/2"~3/4"----4 SET 1"~2"-----6 SET
13	INSERTED NUT 本體埋銅	C3602, SUS304 SUS316	2-1/2"~4"---8 SET 6"-----12 SET
14	NUT&WASHER 螺帽組	SUS304, SUS316	8"-----16 SET
15	THRUST RING & BEARING 薄片&止推軸承	PTFE 1-1/2"~3", SUS 4"~8"	1
16	STOPPER 阻擋螺帽	SUS304	1
17	SET NUT 固定螺帽	SUS304	1
18	GAUGE COVER 透明罩	AS	1
19	SHEET GASKET 墊片	EPDM	1
20	SHEET RING 中心平華司	SUS304	1
21	INDICATIVE WASHER 指示華司	ABS	1
22	O-RING 上蓋O環	NBR	1
23	NAME PLATE 銘牌	UPVC	1
24	PRESSURE PLATE 壓板	SUS304	1~6
25	CASING 套管	UPVC, CPVC, PVDF, PP 8" only	1



VP-720.730 Diaphragm Valve 插管式/由令式隔膜閥 (Spigot, Union – Socket / Threaded)

- Pressure rating: 100 PSI @73.4°F (23°C)
- Smooth operation with clear indication of opening / closing through the gauge cover.
- Low maintenance cost with replaceable diaphragm and long service life
- Adjustable stopper can avoid over tightening
- Alternative material for stem and sleeve: SUS 304 / 316
- 工作壓力：100 PSI @73.4°F (23°C)
- 關閉程度可清楚於透明罩上顯示
- 膜片可替換，保養管理容易
- 可調整的阻擋螺帽設計，可以防止關閉時手輪之壓力過當
- 底端埋有銅柱，易於固定
- 中心柱及套筒可選用 SUS 304 / 316 材質

Type 品號	Size 尺寸	Standard 規格	Material 材質	Gasket 墊座	O-ring O環	Diaphragm 隔膜片	End type 接口	Bolt 螺栓
VP-720	1/2"~2"	DIN	UPVC	EPDM	NBR	EPDM, FPM, PTFE	Spigot	SUS 304 / 316
VP-721	1/2"~2"	DIN	CPVC	EPDM	NBR	EPDM, FPM, PTFE	Spigot	SUS 304 / 316
VP-723	1/2"~2"	DIN	PVDF	EPDM	NBR	EPDM, FPM, PTFE	Spigot	SUS 304 / 316
VP-724	1/2"~2"	DIN	PP	EPDM	NBR	EPDM, FPM, PTFE	Spigot	SUS 304 / 316
VP-730	1/2"~2"	ANSI, JIS, DIN, BS	UPVC	EPDM	NBR / EPDM, FPM	EPDM, FPM, PTFE	Socket, Threaded	SUS 304 / 316
VP-731	1/2"~2"	ANSI, JIS, DIN, BS	CPVC	EPDM	NBR / EPDM, FPM	EPDM, FPM, PTFE	Socket, Threaded	SUS 304 / 316
VP-733	1/2"~2"	ANSI, JIS, DIN, BS	PVDF	EPDM	NBR / EPDM, FPM	EPDM, FPM, PTFE	Socket, Threaded	SUS 304 / 316
VP-734	1/2"~2"	ANSI, JIS, DIN, BS	PP	EPDM	NBR / EPDM, FPM	EPDM, FPM, PTFE	Socket, Threaded	SUS 304 / 316



Caution!

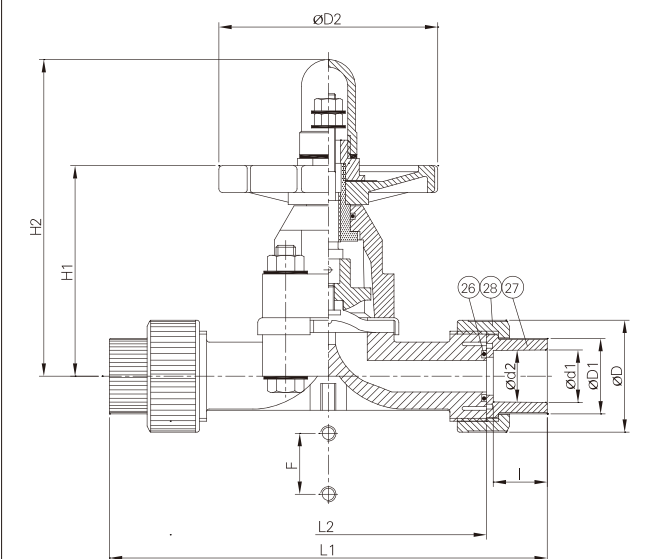
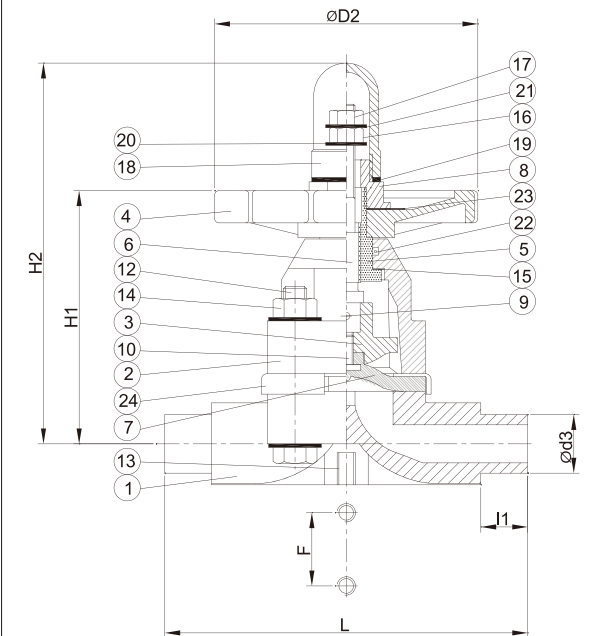
- (1) After installed, should inspect the set nut and stopper (above the stem) frequently, to make sure the nuts are tight.
- (2) The valve is completely closed when handwheel can't turn more with normal torque, but it will cause the unrecoverable divulsion of diaphragm if the handwheel is continuously forced to turn in such above condition!

注意!

- (1) 安裝使用中，應常檢視中心柱上端開度指示螺帽組需保持無鬆動狀態
- (2) 手輪正常旋緊至無法繼續時即代表閥門已完全關閉，切勿再強迫旋轉避免造成無法修復之膜片撕裂現象！

Nom.	SIZE	15mm (1/2")	20mm (3/4")	25mm (1")	40mm (1-1/2")	50mm (2")
JIS	d1	22.3	26.3	32.33	48.46	60.56
	d2	21.7	25.7	31.67	47.54	59.44
	I	22.22	25.4	28.58	34.93	38.1
ANSI	d1	21.54	26.87	33.65	48.56	60.63
	d2	21.23	26.57	33.27	48.11	60.17
	I	22.22	25.4	28.58	34.93	38.1
DIN	d1	20.3	25.3	32.3	50.3	63.3
	d2	19.9	24.9	31.9	49.9	62.9
	I	16	19	22	31	38
BS	d1	21.7	27.15	33.95	48.65	60.75
	d2	21	26.35	33.15	47.85	59.95
	I	22.22	25.4	28.58	34.93	38.1
thd./in	NPT	14	14	11.5	11.5	11.5
	BSPT	14	14	11	11	11
D		46	55	66	97	120
D1		31	37	44	64	78
D2		95	95	110	150	150
d3		20	25	32	50	63
L2		130	150	160	203	230
L1		180	207	227	281	317
L		124	144	154	194	224
H2		128	138	144	220	225
H1		86	95	98	150	148
I1	PVC	16	19	22	31	34
	PP,PVDF	14.5	16	18	23.5	27.5
S		11	11	11	15	15
F		25	25	25	45	45
M		M6	M6	M6	M8	M8

NO	PART	MATERIAL	Q'TY
1	BODY 本體	UPVC,CPVC,PVDF,PP	1
2	BONNET 上蓋	UPVC,CPVC,PVDF,PP,PP+GF	1
3	COMPRESSOR 壓縮體	PP+GF,PVDF	1
4	HANDWHEEL 把手輪	PP	1
5	SLEEVE 中心套筒	C3602,SUS	1
6	STEM 中心柱	C3602,SUS	1
7	DIAPHRAGM 隔膜片	EPDM,FPM,PTFE	1
8	CAP 迫緊螺帽	UPVC,CPVC,PVDF,PP,PP+GF	1
9	COMPRESSOR PIN 彈簧銷	SUS304	1
10	INSERTED METAL 膜片螺絲	C3602,SUS	1
12	BOLT&WASHER 螺絲組	SUS304,SUS316	1/2"~3/4"-----4 SET
13	INSERTED NUT 本體埋銅	C3602,SUS304 SUS316	1"~2"-----6 SET
14	NUT&WASHER 螺帽組	SUS304,SUS316	
15	THRUST RING 薄片	PTFE 1-1/2"~2"	1
16	STOPPER 阻擋螺帽	SUS304	1
17	SET NUT 固定螺帽	SUS304	1
18	GAUGE COVER 透明罩	AS	1
19	SHEET GASKET 墊片	EPDM	1
20	SHEET RING 中心平華司	SUS304	1
21	INDICATIVE WASHER 指示華司	ABS	1
22	O-RING 上蓋O環	NBR	1
23	NAME PLATE 銘牌	UPVC	1
24	PRESSURE PLATE 壓板	SUS304	1~2
26	O-RING 由令O環	UPVC,CPVC,PVDF,PP	2
27	END CONNECTOR 外特普	UPVC,CPVC,PVDF,PP	2
28	UNION NUT 螺帽	UPVC,CPVC,PVDF,PP	2



VP-810 把手式蝶閥

Butterfly Valve (Handle type)

- Pressure rating: 2"~8" 150 PSI @73.4°F(23°C)

(Standard stem:
SUS 410 + heat process.
Alternative material for stem:
SUS 304/316)

- Compact and light-weight design
- Low flow loss
- The scale on top of the body can clearly indicate the opening angle.
- Ideally suited in a limited piping space

- 工作壓力 : 2"~8" 150 PSI @73.4°F(23°C)

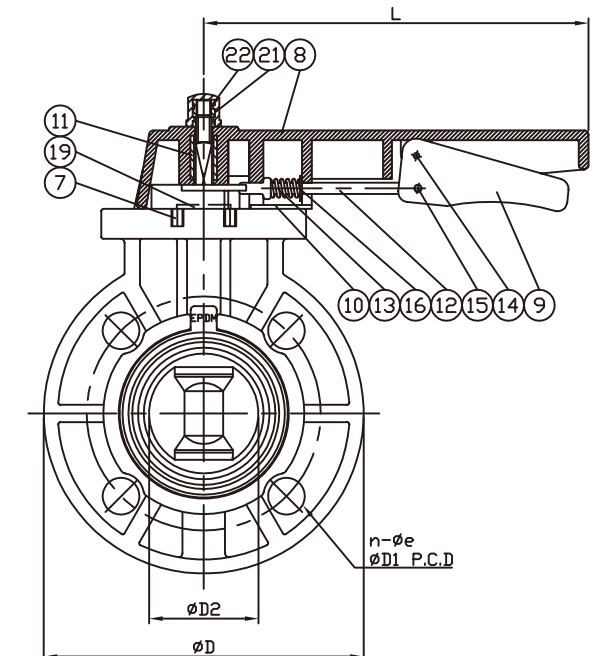
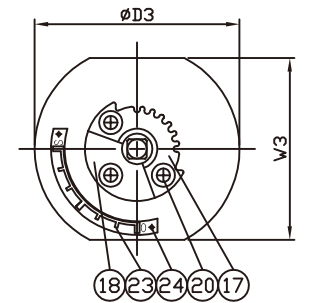
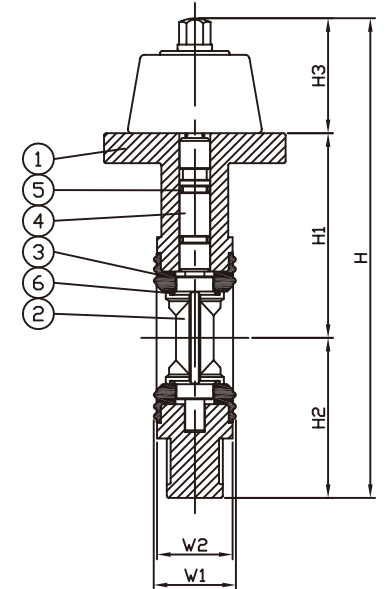
(標準中心柱材質SUS 410 + 熱處理, 亦可選用SUS 304/316 材質)

- 蝶片開啓角度可由刻度清楚顯示, 並可由齒輪片固定
- 全面型墊片密封設計, 安全性佳

Type 品號	Size 尺寸	Standard 規格	Material 材質	Seat 墊座	O-ring O環	Disc 蝶片	End type 接口
VP-810	2"~8"	ANSI, JIS, DIN	UPVC	EPDM, FPM	EPDM, FPM	PP	Flanged
VP-811	2"~8"	ANSI, JIS, DIN	CPVC	EPDM, FPM	EPDM, FPM	CPVC	Flanged
VP-813	2"~8"	ANSI, JIS, DIN	PVDF	EPDM, FPM	EPDM, FPM	PVDF	Flanged
VP-814	2"~8"	ANSI, JIS, DIN	PP	EPDM, FPM	EPDM, FPM	PP	Flanged

Nom.	SIZE	40mm (1-1/2")	50mm (2")	65mm (2-1/2")	80mm (3")	100mm (4")	125mm (5")	150mm (6")	200mm (8")
JIS	D1	105	120	140	150	175	210	240	290
	n-ø e	4-ø19	4-ø19	4-ø19	8-ø19	8-ø19	8-ø23	8-ø23	12-ø23
ANSI	D1	99	121	140	152	191	216	241	299
	n-ø e	4-ø16	4-ø19	4-ø19	4-ø19	8-ø19	8-ø23	8-ø23	8-ø23
DIN	D1	110	125	145	160	180	210	240	295
	n-ø e	4-ø18	4-ø18	4-ø18	8-ø18	8-ø18	8-ø18	8-ø22	8-ø22
D		148	165.5	185	200	229	257	288	343
D2		49.5	56.5	69.5	79.5	102.5	129.5	149.5	202
D3		99	106	119	124	134.5	164	170	201
L		199	199	199	199	252	297	297	297
H		233	248	267	278.5	318	374	407.5	467
H1		96	106	115	118	138.5	163.5	179	208.5
H2		74	82.75	92.5	100	114.5	128.5	144	171.5
H3		63	59.5	59.5	61	65.5	81.5	84.5	84.5
W1		39	42.5	47	47	57	68	70	85
W2		35.7	39	44	44	54	63	65	79
W3		90	94	94	94	99.5	110	101	122

NO	PART NAME	MATERIAL	Q'TY
1	BODY 本體	UPVC,CPVC,PVDF,PP	1
2	DISC 閘門	UPVC,CPVC,PVDF,PP	1
3	SEAT 墊座	EPDM,FPM	1
4	STEM 中心柱	SUS	1
5	STEM O-RING 中心O環	EPDM,FPM	2
6	DISC O-RING 閘門O環	EPDM,FPM	2
7	INSERT NUT 本體埋銅	C3604	3
8	LARGE HANDLE 大把手	PP	1
9	SMALL HANDLE 小把手	PP	1
10	SPRING LOCK 把手蓋	PP	1
11	HANDLE INSERT 方型鐵	STAINLESS STEEL	1
12	HANDLE LEVER 鏈桿	SUS304	1
13	SPRING 彈簧	SUS304	1
14	SPRING PIN 彈簧銷	SUS304	1
15	SPRING PIN 彈簧銷	SUS304	1
16	WASHER 平華司	SUS304	1
17	LOCKING PLATE 齒輪片	SUS304	1
18	GEAR SEAT 齒輪座	UPVC,PVDF	1
19	STEM WASHER 中心平華司	SUS304	1
20	BOLT 齒輪螺絲	SUS304	3
21	NUT 螺帽	UPVC,PVDF	1
22	INSERT NUT 螺帽埋銅	C3604	1
23	LEVEL 刻度指示牌	SUS304	1
24	RIVET 鉚釘	SUS304	2



VP-820 齒輪式蝶閥

Butterfly Valve (Gear Box)

- Pressure rating : 2"~10" 150 PSI, 12" 100 PSI, 14,16" 86 PSI, 18" 72 PSI, 20"~24" 51 PSI @73.4°F(23°C)

(Standard stem: SUS 410 + heat process
Alternative material for stem: SUS 304/316)

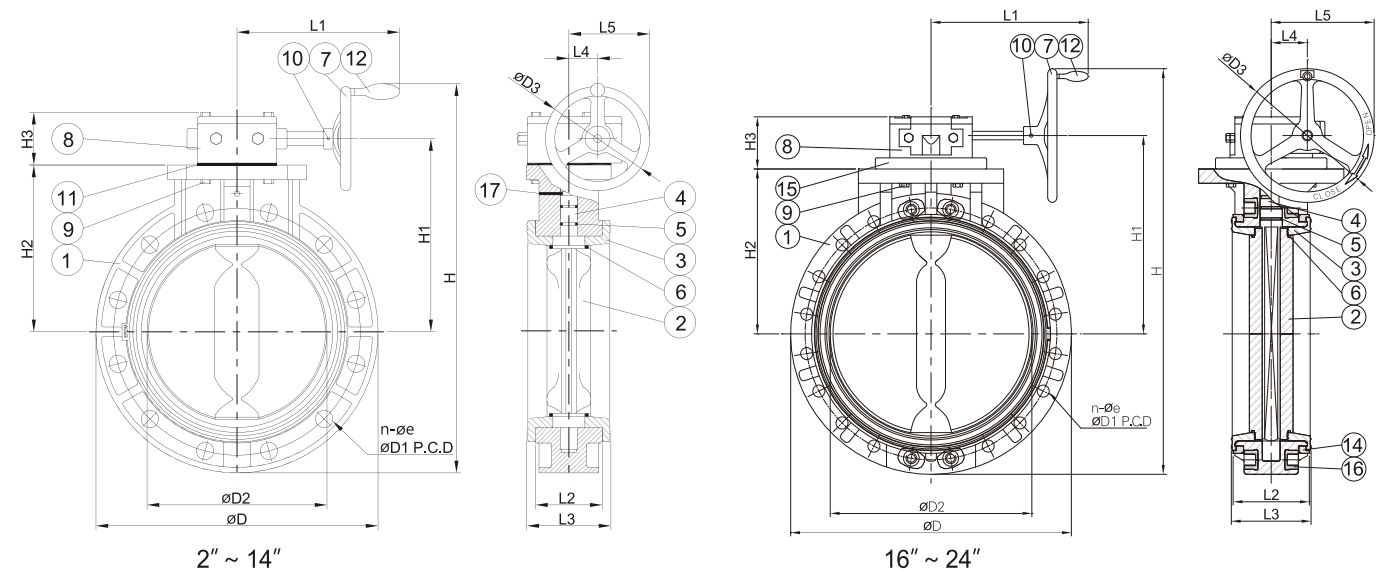
- Lower torque and seal hermetically
- Low flow loss
- The opening angle of the disc could be seen clearly through the arrow on top of the gear box.
- Ideally suited in a limited piping space
- Easy to mount actuator with flat zone design on the top of valve
- 工作壓力：2"~10" 150 PSI, 12" 100PSI, 14", 16" 86PSI, 18" 72PSI, 20"~24" 51PSI @73.4°F(23°C)
(標準中心柱材質SUS 410+熱處理, 亦可選用SUS 304/316)
低扭力, 密閉效果佳
- 蝶片開啓角度可由箭頭指標清楚顯示

Type 品號	Size 尺寸	Standard 規格	Material 材質	Seat 墊座	O-ring O環	Disc 蝶片	End type 接口
VP-820	2"~24"	ANSI, JIS, DIN	UPVC	EPDM, FPM	EPDM, FPM	PP	Flanged
VP-821	2"~24"	ANSI, JIS, DIN	CPVC	EPDM, FPM	EPDM, FPM	CPVC	Flanged
VP-823	2"~24"	ANSI, JIS, DIN	PVDF	EPDM, FPM	EPDM, FPM	PVDF	Flanged
VP-824	2"~24"	ANSI, JIS, DIN	PP	EPDM, FPM	EPDM, FPM	PP	Flanged



Nom.	SIZE	50mm (2")	65mm (2-1/2")	80mm (3")	100mm (4")	125mm (5")	150mm (6")	200mm (8")	250mm (10")	300mm (12")	350mm (14")	400mm (16")	450mm (18")	500mm (20")	600mm (24")
JIS	D1	120	140	150	175	210	240	290	355	400	445	510	565	620	730
	n-øø	4-ø19	4-ø19	8-ø19	8-ø19	8-ø23	8-ø23	12-ø23	12-ø25	16-ø25	16-ø25	16-ø27	20-ø27	20-ø27	24-ø33
ANSI	D1	121	140	152	191	216	241	299	362	432	476	540	578	635	750
	n-øø	4-ø19	4-ø19	4-ø19	8-ø19	8-ø23	8-ø23	8-ø23	12-ø25	12-ø25	12-ø29	16-ø29	16-ø32	20-ø32	20-ø35
DIN	D1	125	145	160	180	210	240	295	350	400	460	515	565	620	725
	n-øø	4-ø18	4-ø18	8-ø18	8-ø18	8-ø18	8-ø22	8-ø22	12-ø22	12-ø22	16-ø22	16-ø26	20-ø27	20-ø27	20-ø30
D		165.5	185	200	229	257	288	343	411	490	530	596	630	696	813
D2		56.5	69.5	79.5	102.5	129.5	149.5	202	255	310	355	397.5	452.5	500	603
D3		159	159	159	159	159	202	202	202	250	250	300	300	406	406
H		289	307.5	310	352.5	396.5	464	524	588	709	733	868	910	1037	1166
H1		127	135.5	138	158.5	196.5	221	253.5	283.5	340	342	420	445	486	556
H2		105	113.5	116	136.5	163.5	177	209.5	239.5	298	300	345	370	410	480
H3		53	53	53	53	75	77.5	77.5	77.5	78	78	120	120	143	143
L1		140	140	140	140	140	140	284.5	284.5	330	330	353	353	390	390
L2		39	44	44	54	63	65	79	104	127	120.5	160	171	180	201
L3		42.5	47	47	57	68	70	85	109	131.5	127	166	179	189.5	210
L4		41.5	41.5	41.5	41.5	41.5	60	60	60	60	60	81	81	120	120
L5		121	121	121	121	121	161	161	161	185	185	231	231	323	323

NO	PART NAME	MATERIAL	Q'TY
1	BODY 本體	UPVC, CPVC, PVDF, PP	1
2	DISC 閘門	UPVC, CPVC, PVDF, PP	1
3	SEAT 墊座	EPDM, FPM	1
4	STEM 中心柱	SUS	1
5	STEM O-RING 中心O環	EPDM, FPM	2
6	DISC O-RING 閘門O環	EPDM, FPM	2
7	HAND-WHEEL 把手輪	FC	1
8	GEAR BOX 齒輪箱	FC	1
9	BOLT & WASHER 螺絲組	SUS	4
10	SPRING PIN 彈簧銷	SUS	1
11	PACKING 墊片	EPDM 6"~14"	1
12	SMALL HANDLE 小把手	STEEL 6"~24"	1
13	KEY 方鍵	SUS 6"~24"	1
14	SEAL 加強環	FC 14"~24"	2
15	METAL PAD 固定座	S45C 16"~24"	1
16	INSERTED NUT 本體埋鋼	C3602 16"~24"	4~8
17	PIN 定位銷	SUS	1



VP-830 氣動式蝶閥

Pneumatic Actuator Butterfly Valve

- Pressure rating : 2"~10" 150 PSI, 12" 100 PSI, 14", 16" 86 PSI, 18" 72 PSI, 20"~24" 51 PSI @73.4°F(23°C)

(Standard stem:
SUS 410 + heat process.
Alternative material for stem:
SUS 304/316)

- Low flow loss
- The opening angle of the disc could be seen clearly through the position indicator.
- Fast / Efficient operation for automatic control system in a limited piping space
- Pneumatic actuator specification meets with ISO 5211, VDI / VDE 3845, DIN 3337, NAMUR, easy to assemble solenoid valve, limit switches and other accessories.
- For double acting and spring return actuators the maximum supply pressure is 8 Bar(116PSI) minimum supply pressure is 2.5 Bar(36PSI)
(Refer to actuator manufacturer's data if necessary)

- 工作壓力 : 2"~10" 150 PSI, 12" 100PSI, 14", 16" 86PSI, 18" 72PSI, 20"~24" 51PSI @73.4°F(23°C)

(標準中心柱材質SUS 410 + 熱處理,亦可選用SUS 304 / 316 材質)

- 蝶片開啓角度可經由位址顯示器取
- 氣動驅動器規格符合ISO 5211, DIN 3337, VDI / VDE 3845, NAMUR可加裝電磁閥、微動開關及其他附屬配件。
- 氣動驅動器建議最大進氣空壓 8 Bar (116PSI), 最小 2.5 Bar (36PSI)
(詳細資料可參考氣壓缸製造商資料)

Type 品號	Size 尺寸	Standard 規格	Material 材質	Seat 墊座	O-ring O環	Disc 蝶片	End type 接口
VP-830	2"~24"	ANSI, JIS, DIN	UPVC	EPDM, FPM	EPDM, FPM	PP	Flanged
VP-831	2"~24"	ANSI, JIS, DIN	CPVC	EPDM, FPM	EPDM, FPM	CPVC	Flanged
VP-833	2"~24"	ANSI, JIS, DIN	PVDF	EPDM, FPM	EPDM, FPM	PVDF	Flanged
VP-834	2"~24"	ANSI, JIS, DIN	PP	EPDM, FPM	EPDM, FPM	PP	Flanged



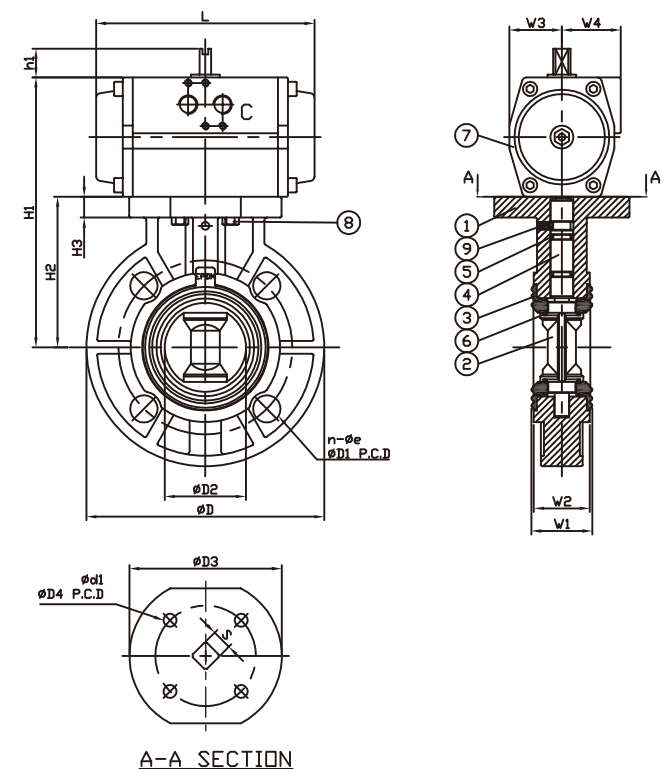
SIZE Nom.	50mm (2")	65mm (2-1/2")	80mm (3")	100mm (4")	125mm (5")	150mm (6")	200mm (8")	250mm (10")	300mm (12")	350mm (14")	400mm (16")	450mm (18")	500mm (20")	600mm (24")	
JIS	D1	120	140	150	175	210	240	290	355	400	445	510	565	620	730
	n-øe	4-ø19	4-ø19	8-ø19	8-ø19	8-ø23	8-ø23	12-ø23	12-ø25	16-ø25	16-ø25	16-ø27	20-ø27	20-ø27	24-ø33
ANSI	D1	121	140	152	191	216	241	299	362	432	476	540	578	635	750
	n-øe	4-ø19	4-ø19	4-ø19	8-ø19	8-ø23	8-ø23	8-ø23	12-ø25	12-ø25	12-ø29	16-ø29	16-ø32	20-ø32	20-ø35
DIN	D1	125	145	160	180	210	240	295	350	400	460	515	565	620	725
	n-øe	4-ø18	4-ø18	8-ø18	8-ø18	8-ø18	8-ø22	8-ø22	12-ø22	12-ø22	16-ø22	16-ø26	20-ø27	20-ø27	20-ø30
D	165.5	185	200	229	257	288	343	411	490	530	596	630	696	813	
D2	56.5	69.5	79.5	102.5	129.5	149.5	202	255	310	355	397.5	452.5	500	603	
D3	106	119	124	134.5	164	170	201	204	236	236	300	326	328	328	
H2	105	113.5	116	136.5	163.5	177	209.5	239.5	298	300	345	370	410	480	
H3	13	13	13	13	13	20	22	22	24.5	25.5	32	32	34	43	
W1	42.5	47	47	57	68	70	85	109	131.5	127	166	179	189.5	210	
W2	39	44	44	54	63	65	79	104	127	120.5	160	171	180	201	
T-DIN259 BSP	1/4"	1/4"	1/4"	1/4"	1/4"	1/4"	1/4"	1/4"	1/4"	1/4"	1/4"	1/2"	1/2"	1/2"	
DOUBLE ACTING	d1	7	7	9	9	11	11	11	13	-	-	-	-	-	
	D4	50	50	70	70	102	102	102	125	-	-	-	-	-	
	h1	20	20	20	20	20	30	30	30	-	-	-	-	-	
	H1	189.75	198.5	217.75	238.5	278.5	304	366.5	396.5	494	-	-	-	-	
	L	158.5	158.5	210.5	210.5	247.5	268.5	345	345	437.5	-	-	-	-	
	S	14	14	17	17	17	22	27	27	27	-	-	-	-	
	W3	36	36	42	42	48	55	66.5	66.5	81	-	-	-	-	
SPRING RETURN	W4	47	47	52	52	57	67	82	82	99	-	-	-	-	
	d1	7	7	9	9	11	11	13	13	-	-	-	-	-	
	D4	50	50	70	70	102	102	125	125	-	-	-	-	-	
	h1	20	20	20	20	20	30	30	30	-	-	-	-	-	
	H1	206.75	215.5	230.75	251.5	290.5	334	405.5	435.5	-	-	-	-	-	
	L	210.5	210.5	247.5	247.5	268.5	345	437.5	437.5	-	-	-	-	-	
	S	17	17	17	17	22	27	27	27	-	-	-	-	-	
W3	42	42	48	48	55	66.5	81	81	-	-	-	-	-		
W4	52	52	57	57	67	82	99	99	-	-	-	-	-		

SIZE	PNEUMATIC ACTUATOR	
	DOUBLE ACTING	SPRING RETURN
2"	AT101UDA	AT201USR
2-1/2"	AT101UDA	AT201USR
3"	AT201UDA	AT251USR
4"	AT201UDA	AT251USR
5"	AT251UDA	AT301USR
6"	AT301UDA	AT401USR
8"	AT351UDA	AT451USR
10"	AT451UDA	AT501USR
12"	AT501UDA	AT551USR
14"	AT551UDA	AT651USR
16"	AT601UDA	AT651USR
18"	AT601UDA	AT701USR
20"	AT651UDA	AT701USR
24"	AT651UDA	AT701USR

備註:

- 1.上述氣動及電動驅動器(Pneumatic Actuator)搭配型號及圖形僅供參考,可依客戶需求選用。
- 2.相關規格資料歡迎進一步向本公司洽詢。

NO	PART NAME	MATERIAL	Q'TY
1	BODY 本體	UPVC, CPVC, PVDF, PP	1
2	DISC 蝶片	UPVC, CPVC, PVDF, PP	1
3	SEAT 墊座	EPDM, FPM	1
4	STEM 中心柱	SUS	1
5	STEM O-RING 中心O環	EPDM, FPM	2
6	DISC O-RING 蝶片O環	EPDM, FPM	2
7	PNEUMATIC ACTUATOR 氣壓缸	EXTRUDED ALUMINUM ALLOY	1
8	BOLT & WASHER 螺絲組	SUS	4
9	PIN 定位銷	SUS	1



VP-840 電動式蝶閥

Electric Actuator Butterfly Valve

- Pressure rating: 2"~10" 150 PSI, 12" 100 PSI, 14", 16" 86 PSI, 18" 72 PSI, 20"~24" 51 PSI @73.4°F(23°C)

(Standard stem: SUS 410 + heat process. Alternative material for stem: SUS 304/316)

- Low flow loss
- The opening angle of the disc could be seen clearly through the position indicator.
- Fast / Efficient operation for automatic control system in a limited piping space
- Electric actuator operation voltage 1-phase 110 / 220 V, 3-phase 220 / 380 / 460 V
- Electric actuator could manually operate w/o clutch and break
- 工作壓力：2"~10" 150 PSI, 12" 100PSI, 14", 16" 86PSI, 18" 72PSI, 20"~24" 51PSI @73.4°F(23°C)
(標準中心柱材質SUS 410 + 熱處理, 亦可選用SUS 304/316 材質)
- 蝶片開啓角度可經由位址顯示器取得
- 操作電壓：AC 單相 110 / 220V 三相 220 / 380 / 460V
- 電動換手動操作時, 不須離合器及煞車即可操作

Type 品號	Size 尺寸	Standard 規格	Material 材質	Seat 墊座	O-ring 環	Disc 蝶片	End type 接口
VP-840	2"~24"	ANSI, JIS, DIN	UPVC	EPDM, FPM	EPDM, FPM	PP	Flanged
VP-841	2"~24"	ANSI, JIS, DIN	CPVC	EPDM, FPM	EPDM, FPM	CPVC	Flanged
VP-843	2"~24"	ANSI, JIS, DIN	PVDF	EPDM, FPM	EPDM, FPM	PVDF	Flanged
VP-844	2"~24"	ANSI, JIS, DIN	PP	EPDM, FPM	EPDM, FPM	PP	Flanged



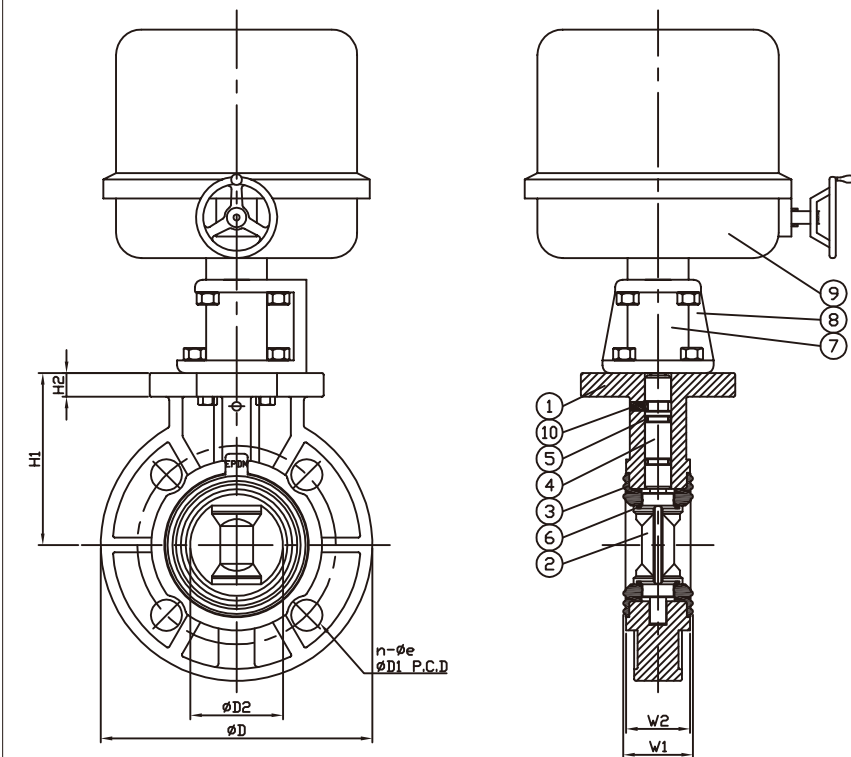
Nom.	SIZE	50mm (2")	65mm (2-1/2")	80mm (3")	100mm (4")	125mm (5")	150mm (6")	200mm (8")	250mm (10")	300mm (12")	350mm (14")	400mm (16")	450mm (18")	500mm (20")	600mm (24")
		JIS	D1 n-øe	120 4-ø19	140 4-ø19	150 8-ø19	175 8-ø19	210 8-ø23	240 8-ø23	290 12-ø23	355 12-ø25	400 16-ø25	445 16-ø25	510 16-ø27	565 20-ø27
ANSI	D1 n-øe	121 4-ø19	140 4-ø19	152 4-ø19	191 8-ø19	216 8-ø23	241 8-ø23	299 8-ø23	362 12-ø25	432 12-ø25	476 12-ø29	540 16-ø29	578 16-ø32	635 20-ø32	750 20-ø35
DIN	D1 n-øe	125 4-ø18	145 4-ø18	160 8-ø18	180 8-ø18	210 8-ø18	240 8-ø22	295 8-ø22	350 12-ø22	400 12-ø22	460 16-ø22	515 16-ø26	565 20-ø27	620 20-ø27	725 20-ø30
	D	165.5	185	200	229	257	288	343	411	490	530	596	630	696	813
	D2	56.5	69.5	79.5	102.5	129.5	149.5	202	255	310	355	397.5	452.5	500	603
	H1	105	113.5	116	136.5	163.5	177	209.5	239.5	298	300	345	370	410	480
	H2	14.5	14	14	14	14.5	19	23.5	22	24.5	25.5	32	32	34	43
	W1	42.5	47	47	57	68	70	85	109	131.5	127	166	179	189.5	210
	W2	39	44	44	54	63	65	79	104	127	120.5	160	171	180	201

NO	PART NAME	MATERIAL	QTY
1	BODY 本體	UPVC,CPVC,PVDF,PP	1
2	DISC 閘門	UPVC,CPVC,PVDF,PP	1
3	SEAT 墊座	EPDM,FPM	1
4	STEM 中心柱	SUS	1
5	STEM O-RING 中心O環	EPDM,FPM	2
6	DISC O-RING 閘門O環	EPDM,FPM	2
7	COUPLING 連接頭	SUS	1
8	MOUNTING PAD 固定架	SUS	1
9	ELECTRIC ACTUATOR 電動箱	ALUMINUM ALLOY POWDER COATED	1
10	PIN 定位銷	SUS	1

ELECTRIC ACTUATOR	Single-phase		Three-phase		
	110V	220V	220V	380V	440V
BM2	V	V	V	V	V
OMA	V	V	X	X	X
OM2	V	V	V	V	V
OM3	V	V	V	V	V
OM4	V	V	V	V	V
OM5	V	V	V	V	V
OM6	V	V	V	V	V
OM7	V	V	V	V	V
OM8	V	V	V	V	V

SIZE	ELECTRIC ACTUATOR	
	WITH HANDWHEEL	WITHOUT WITH HANDWHEEL
2"	OM2	OMA
2-1/2"	OM2	OMA
3"	OM2	OMA
4"	OM3	BM2
5"	OM3	-
6"	OM4	-
8"	OM4	-
10"	OM5	-
12"	OM6	-
14"	OM7	-
16"	OM	-

備註：
1. 上述電動驅動器(Electric Actuator)搭配型號及圖形僅供參考，可依客戶需求選用。
2. 18"以上及相關規格資料歡迎進一步向本公司洽詢。



VP-900 .910 簡單型球閥

Compact Ball Valve

- Pressure rating:
150 PSI @73.4°F(23°C)
- low flow loss
- Low cost and most convenient
- 工作壓力：150 PSI @73.4°F(23°C)
- 流量損失小
- 操作方便，使用成本低廉

Type 品號	Size 尺寸	Standard 規格	Material 材質	Seat 墊座	O-ring O環	End type 接口
VP-900	3/8"~2"	ANSI, JIS, DIN, BS	UPVC	PTFE	EPDM, FPM	Socket, Threaded, Flanged
VP-901	3/8"~2"	ANSI, JIS, DIN, BS, CTS	CPVC	PTFE	EPDM, FPM	Socket, Threaded, Flanged
VP-910	3/8"~4"	ANSI, JIS, DIN, BS	UPVC	EPDM	EPDM, FPM	Socket, Threaded, Flanged
VP-911	3/8"~2"	ANSI, JIS, DIN, BS, CTS	CPVC	EPDM	EPDM, FPM	Socket, Threaded, Flanged
VP-915	1/2"~2"	ANSI, JIS, DIN, BS	ABS	EPDM	EPDM, FPM	Socket, Threaded, Flanged



I.P.S. DIM.

Nom.	SIZE	10mm	15mm	20mm	25mm	32mm	40mm	50mm	65mm	80mm	100mm
		(3/8")	(1/2")	(3/4")	(1")	(1-1/4")	(1-1/2")	(2")	(2-1/2")	(3")	(4")
JIS	d1	18.4	22.3	26.3	32.33	38.43	48.46	60.56	76.6	89.6	114.7
	d2	17.78	21.7	25.7	31.67	37.57	47.54	59.44	75.87	88.83	113.77
ANSI	d1	17.45	21.54	26.87	33.65	42.42	48.56	60.63	73.38	88.31	114.76
	d2	17.04	21.23	26.57	33.27	42.04	48.11	60.17	72.85	88.28	114.73
DIN	d1	16.3	20.3	25.3	32.3	40.3	50.3	63.3	75.35	90.5	110.6
	d2	15.9	19.9	24.9	31.9	39.9	49.9	62.9	74.9	89.9	109.9
BS	d1	17.5	21.7	27.15	33.95	42.65	48.65	60.75	75.75	89.35	114.95
	d2	16.8	21	26.35	33.15	41.85	47.85	59.95	74.95	88.45	113.65
I	DIN	14	16	19	22	26	31	38	44	51	61
	ANSI, JIS	19.05	22.22	25.4	28.58	31.75	34.93	38.1	44.45	47.63	57.15
thd. /in.	BSPT	19	14	14	11	11	11	11	11	11	11
	NPT	18	14	14	11.5	11.5	11.5	11.5	8	8	8
D		31	38	49	57	63	75	92	110	133	170
D1		24	30	38	45	54	62	77	92	106	135
d		12.4	14.4	20	25.3	29.8	36	46.5	58	77	98
L		68	83	95	106	114	130	147	204	229	300
L1		60	70	88	100	100	109	134	178	224	276
H		52	64	79	95	99	115	135	160	190	233
H1		36	45	54	65	67	76	89	105	124	148

C.T.S. DIM.

Nom.	SIZE	15mm	20mm	25mm	32mm	40mm	50mm
	(1/2")	(3/4")	(1")	(1-1/4")	(1-1/2")	(2")	(2")
D	32	39.6	52	57	63	79	
D1	24	30	38	45	54	66	
d	12.4	18.3	23.5	25.3	29.8	36	
d1	16.08	22.45	28.83	35.2	41.66	54.38	
d2	15.72	22.1	28.47	34.85	41.2	53.92	
I	12.7	17.78	22.86	27.94	33.02	43.18	
L	68	83	95	106	114	144.5	
L1	60	70	88	100	100	109	
H	52	64	79	95	99	115	
H1	36	45	54	65	67	76	

Nom.	SIZE	15mm	20mm	25mm	32mm	40mm	50mm	65mm	80mm	100mm
	(1/2")	(3/4")	(1")	(1-1/4")	(1-1/2")	(2")	(2")	(2-1/2")	(3")	(4")
JIS	D	95.5	100	124.5	134.5	140.5	155	175	184.5	209.5
	D1	70	75	90	100	105	120	140	150	175
	n-øe	4-ø15	4-ø15	4-ø19	4-ø19	4-ø19	4-ø19	4-ø19	8-ø19	8-ø19
ANSI	D	89	98	108	117	127	155	178.5	190.5	230
	D1	60	70	79	89	98	121	140	152	191
	n-øe	4-ø16	4-ø16	4-ø16	4-ø16	4-ø16	4-ø19	4-ø19	4-ø19	8-ø19
DIN	D	95.5	100	124.5	134.5	140.5	155	175	184.5	209.5
	D1	65	75	85	100	110	125	145	160	180
	n-øe	4-ø15	4-ø15	4-ø15	4-ø19	4-ø19	4-ø19	4-ø19	8-ø19	8-ø19
L	112	127	136	150	166	187	248	274	343	

NO.	PART	MATERIAL	Q'TY
1	BODY 本體	UPVC, CPVC, ABS	1
2	SEAT 墊座	EPDM, PTFE	2
3	BALL 球體	UPVC, CPVC, ABS, PP	1
4	O-RING O環	EPDM, FPM	1
5	HANDLE 把手	ABS	1
6	BOLT 螺絲	ZINC-PLATED STEEL	1
7	HANDLE CAP 把手蓋	ABS	1
8	FLANGE 法蘭片	UPVC, CPVC, ABS, PP	2
9	ZINC-PLATED INSERTED 鍍鋅柱	ZINC-PLATED STEEL 2-1/2"~4"	1

