

Excellent & Advanced

VP-200 Series

Various Fittings 各種管件

- VP-200
Compression Tee
三通快速接頭
- VP-210
Compression Coupling
快速接頭
- VP-220
T (Y) type Strainer
T(Y) 型過濾器
- VP-230
Expansion Joint
伸縮管
- VP-240
Unions
由令
- VP-250
Blind Flanges
盲法蘭
- VP-260
TS Flanges (Single Piece)
單片式法蘭
- VP-270
Van Stone Flanges (Two Pieces)
二片式法蘭
- VP-289
Rubber Gaskets
橡膠墊片
- Expansion Repair Coupling
伸縮接頭



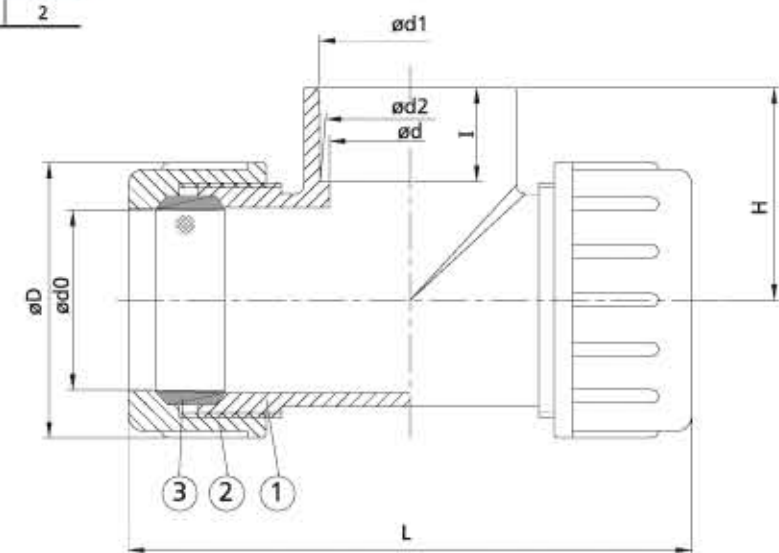
VP-200 三通快速接頭 Compression Tee

- Specification: Schedule 40
- Suitable for instant and emergent piping system repair.
- Suitable for IPS standard plastic / metal piping system
- 規格：Schedule 40
- 適用於緊急修復或無法斷水時之換管工程
- 適用於IPS規格之塑膠、金屬管路系統

Type 品號	Size 尺寸	Standard 規格	Material 材質	Seat 墊圈	End Type 接口
VP-200	1/2"~2"	ANSI	PVC	NR	Socket, Threaded
VP-201	1/2"~2"	ANSI	CPVC	NR	Socket, Threaded

SIZE Nom.	15mm (1/2")	20mm (3/4")	25mm (1")	32mm (1-1/4")	40mm (1-1/2")	50mm (2")
D	47	52	61	72	80	92
D1	30	36	43	51	58	71
d	16.5	20.5	28	35	42.5	54
d0	21	26.47	33.2	42	48	60.1
d1	21.54	26.87	33.65	42.42	48.56	60.63
d2	21.23	26.57	33.27	42.04	48.11	60.17
L	127	132	143.5	159	171.5	189
H	36.5	44.5	55	61	68.5	71
I	22.22	26	31.6	34.7	37.9	31.3
NPT thd./in.	14	14	11.5	11.5	11.5	11.5

NO.	PART	MATERIAL	QTY
1	BODY 本體	UPVC, CPVC	1
2	UNION NUT 螺帽	UPVC, CPVC	2
3	SEAT 墊圈	NR	2



VP-210 快速接頭 Compression Coupling

- Specification: Schedule 40 / CTS
- Suitable for instant and emergent piping system repair.
- Suitable for IPS / CTS standard plastic piping system
- 規格：Schedule 40 / CTS
- 適用緊急搶修或無法停機時之換管工程
- 適用IPS或CTS鋼管規格之塑膠管路系統

Type 品號	Size 尺寸	Standard 規格	Material 材質	Seat 墊圈
VP-210	3/8"~6"	ANSI, JIS, BS (IPS)	PVC	NR
VP-211	1/2"~1"	ANSI (CTS)	CPVC	NR



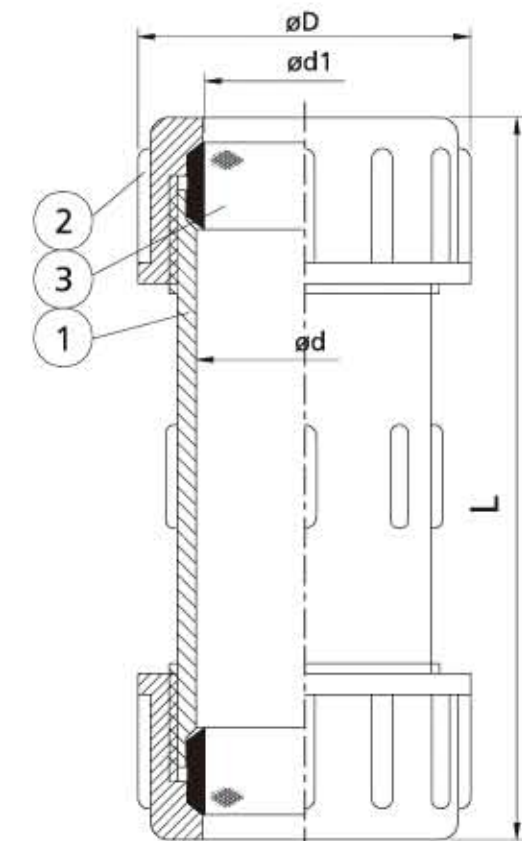
I.P.S.DIM.

Nom.	SIZE	10mm (3/8")	15mm (1/2")	20mm (3/4")	25mm (1")	32mm (1-1/4")	40mm (1-1/2")	50mm (2")	65mm (2-1/2")	80mm (3")	100mm (4")	150mm (6")
D		33	47	53	61	73	80	92	115	134	161	223
d		18	23	30	36	46	52	65	64	92	118	174
d1	JIS	17.8	21.8	25.8	31.8	37.8	47.8	59.8	75.8	88.8	113.8	166.0
	ANSI	16.8	21.0	26.47	33.2	42.0	48.0	60.1	72.8	88.7	114.1	168.0
	DIN	16.8	21.0	26.4	33.2	41.8	47.9	60.0	75.0	88.5	113.9	167.8
L		118	128	135	142	153	173	195	252	276	303	285

NO.	PART	MATERIAL	Q'TY
1	BODY 本體	UPVC, CPVC	1
2	UNION NUT 螺帽	UPVC, CPVC	2
3	SEAT 墊圈	NR	2

C.T.S.DIM.

Nom.	SIZE	15mm (1/2")	20mm (3/4")	25mm (1")
D		33	47	53
d		18	24	30
d1		16.08	22.45	28.83
L		114	127	135



VP-220 T (Y)型過濾器

T (Y) type Strainer

● Filter options include several mesh sizes with easy and rapid interchangeability.

● Filter Specification :

T type-SUS 304 / 316 :

60 / 40 / 20 mesh

PP/PVC/CPVC : 3~8mm

Y type-SUS 304 / 316 :

60 / 40 / 20 mesh

PE : 20 mesh

● 濾網拆卸清洗方便

● 濾網規格 :

T型-SUS 304 / 316,

60 / 40 / 20 mesh

PP/PVC/CPVC

3~8mm孔目等客戶訂製規格

Y型-PE / 20 mesh

SUS / 40 / 60 mesh

註 : Comparative Particle size

20 Mesh ≈ 0.034 inches

40 Mesh ≈ 0.015 inches

60 Mesh ≈ 0.0092 inches

Type 品號	Size 尺寸	Standard 規格	Material 材質	Gasket / O-ring 墊圈 / O環	End type 接口
VP-220 T type	2"~8"	ANSI, JIS, DIN	PVC	EPDM, PTFE, FPM	Flanged
VP-220 Y type	1/2"~2"	ANSI, JIS, DIN	PVC	EPDM, FPM	Union, Socket, Flanged
VP-221 T type	2"~8"	ANSI, JIS, DIN	CPVC	EPDM, PTFE, FPM	Flanged
VP-221 Y type	1/2"~2"	ANSI, JIS, DIN	CPVC	EPDM, FPM	Union, Socket, Flanged



T-type Strainer DIM.

Nom.	SIZE	50mm (2")	65mm (2-1/2")	80mm (3")	100mm (4")	150mm (6")	200mm (8")
JIS	D	155	175	185	210	285	330
	D1	120	140	150	175	240	290
	n-øe	4-ø19	4-ø19	8-ø19	8-ø19	8-ø23	12-ø23
ANSI	D	152	178	191	229	285	343
	D1	121	140	152	191	241	299
	n-øe	4-ø19	4-ø19	4-ø19	8-ø19	8-ø23	8-ø23
DIN	D	165	185	200	220	285	343
	D1	125	145	160	180	240	295
	n-øe	4-ø18	4-ø18	8-ø18	8-ø18	8-ø22	8-ø22
L		200	240	260	300	400	500
H		165	168.5	169	217	285	338
T		20	22	22	24	26	30

NO.	PART	MATERIAL	QTY
1	BODY 本體	UPVC, CPVC	1
2	BONNET 上蓋	UPVC, CPVC	1
3	90° ELL 90度彎頭	UPVC, CPVC	1
4	INNER BODY 內濾網本體	UPVC, CPVC	1
5	OUTER BODY 外濾網本體	UPVC, CPVC	1
6	GASKET 本體墊圈	EPDM, FPM, PTFE	1
7	FILTER 濾網	PP, SUS	1
8	BOLT SETS 螺絲組	STEEL-SUS,304	8~16

Y-type Strainer (Flanged) DIM.

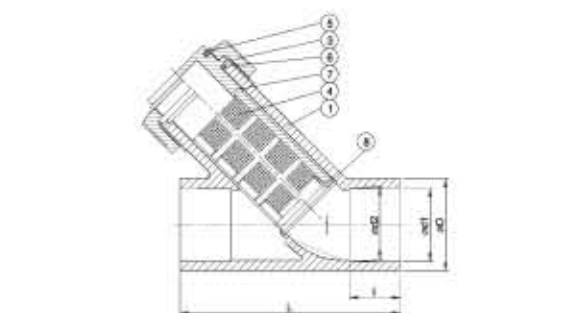
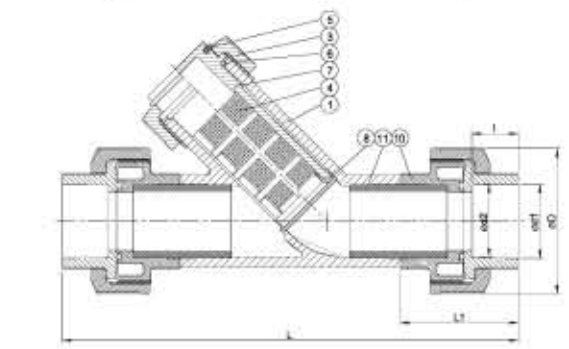
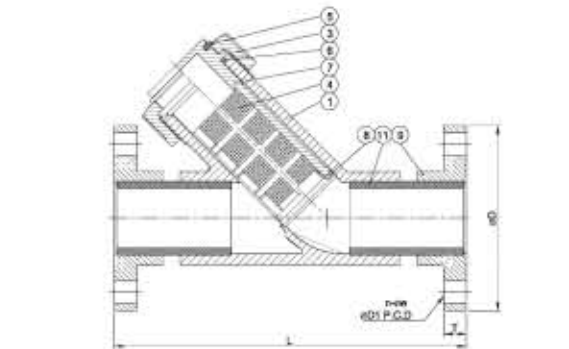
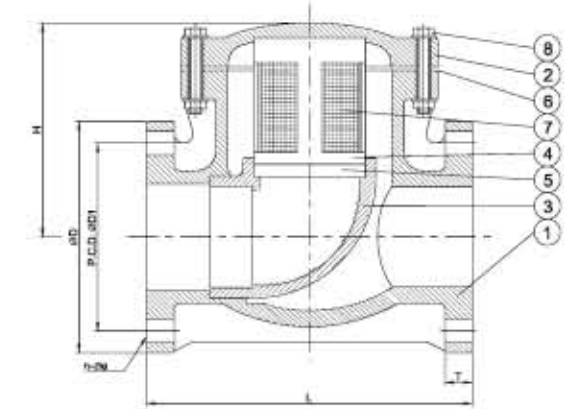
Nom.	SIZE	15mm (1/2")	20mm (3/4")	25mm (1")	32mm (1-1/4")	40mm (1-1/2")	50mm (2")
JIS	D	95	100	125	135	140	155
	D1	70	75	90	100	105	120
	L	160	175	202	245	247	292
	T	14	15	15	16	16	20
	n-øe	4-ø15	4-ø15	4-ø19	4-ø19	4-ø19	4-ø19
ANSI	D	89	98	108	117	127	152
	D1	61	70	79	89	98	121
	L	154	170	200	245	250	290
	T	11	12	14	16	17.5	19
	n-øe	4-ø16	4-ø16	4-ø16	4-ø16	4-ø16	4-ø19

Y-type Strainer (Union) DIM.

Nom.	SIZE	15mm (1/2")	20mm (3/4")	25mm (1")	32mm (1-1/4")	40mm (1-1/2")	50mm (2")
JIS	d1	22.30	26.30	32.33	38.43	48.46	60.56
	d2	21.70	25.70	31.67	37.57	47.54	59.44
	l	22.22	25.4	28.58	31.75	34.93	38.10
ANSI	d1	21.54	26.87	33.65	42.42	48.56	60.63
	d2	21.23	26.57	33.27	42.04	48.11	60.17
	l	22.22	25.40	28.58	31.75	34.93	38.10
DIN	d1	20.30	25.30	32.30	40.30	50.30	63.30
	d2	19.90	24.90	31.90	39.90	49.90	62.90
	l	16	19	22	26	31	38
D		46.5	55	66	82	98	120
L		202	233	261	324	334	377
L1		56	64	72	87	90	98

Y-type Strainer (Socket) DIM.

Nom.	SIZE	15mm (1/2")	20mm (3/4")	25mm (1")	32mm (1-1/4")	40mm (1-1/2")	50mm (2")
ANSI	d1	21.54	26.87	33.65	42.42	48.56	60.63
	d2	21.23	26.57	33.27	42.04	48.11	60.17
	l	22.22	25.40	28.58	31.75	34.93	38.10
D		30	36	44	61	61	77
L		90	105	117	150	154	181



NO.	PART	MATERIAL	QTY
1	BODY 本體	UPVC, CPVC	1
3	UNION NUT 螺帽	UPVC, CPVC	1
4	FILTER 濾網	PP, PE, SUS	1
5	SET RING 卡環	UPVC, CPVC	1
6	O-RING 本體O環	EPDM, FPM	1
7	FILTER HOLDER 濾網架	UPVC, CPVC	1
8	RETAINING RING 蓋子	UPVC, CPVC	1
9	FLANGE 法蘭片	UPVC, CPVC	2
10	UNION 由令	UPVC, CPVC	2
11	PIPE 直管	UPVC, CPVC	2

VP-230 伸縮管 Expansion Joint

- Suitable for straight run system with length over 30m, and with temperature change is greater than 17°C (30°F)
- Expansion or contraction of thermal plastic pipe:

$$\Delta L = y(T_{max} - T_{min})L$$

where ΔL = expansion of pipe in feet or meters

y = coefficient of thermal expansion in

in/in/°F or m/m/°C

(CPVC = 3.4×10^{-5} in/in/°F,

PVC = 3.0×10^{-5} in/in/°F)

T_{max} = maximum temperature in °F or °C

T_{min} = minimum temperature in °F or °C

L = length of pipe run in feet or meters

- 適用直管長超過30m且流體溫度變化量超過17°C (30°F) 的環境
- 安裝時，依當時溫度設定伸縮管上溫度刻度即可，安裝方便。

伸縮管伸縮距離：150mm

$$\Delta L = Y (T_{max} - T_{min}) L$$

T_{max} ：最高溫度 (°F or °C)

T_{min} ：最低溫度 (°F or °C)

Y：熱膨脹係數

CPVC (Type IV Grade I)

3.4×10^{-5} in / in / °F

PVC (Type I Grade I)

3.0×10^{-5} in / in / °F

L：管道長度 (in or cm)

ΔL ：管熱膨脹距離 (in or cm)

ΔL (單位：mm)

150 = 所需安裝伸縮管數量

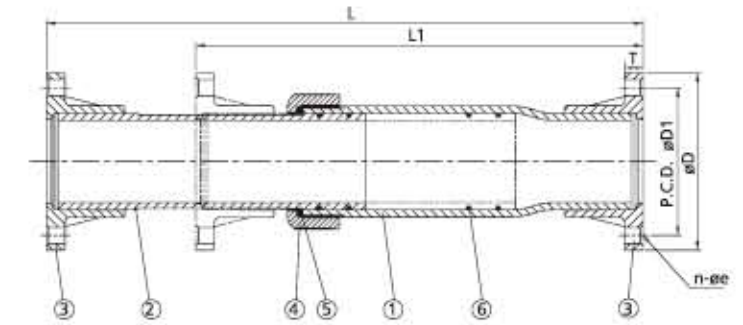
Type 品號	Size 尺寸	Standard 規格	Material 材質	O-ring O環	End type 接口
VP-230	1/2"~2"	ANSI	PVC	EPDM, FPM	Socket, Threaded
VP-230 Fabricated	2-1/2"~12"	ANSI, JIS	PVC	EPDM, FPM	Flanged
VP-231	1/2"~2"	ANSI	CPVC	EPDM, FPM	Socket, Threaded
VP-231 Fabricated	2-1/2"~12"	ANSI, JIS,	CPVC	EPDM, FPM	Flanged



Flange type

Nom.	SIZE	65mm	80mm	100mm	150mm	200mm	250mm	300mm
		(2-1/2")	(3")	(4")	(6")	(8")	(10")	(12")
JIS	D	175	185	210	280	330	400	445
	D1	140	150	175	240	290	355	400
	n-øe	4-ø19	8-ø19	8-ø19	8-ø23	12-ø23	12-ø25	16-ø25
ANSI	D	178	191	229	280	343	406	481
	D1	140	152	191	241	299	362	432
	n-øe	4-ø19	4-ø19	8-ø19	8-ø23	8-ø23	12-ø25	12-ø25
L		565	580	680	770	835	880	1050
L1		415	430	530	620	685	730	900
T	JIS	24	25	28	32	36	42	42
	ANSI	22	22	22	26	28	30	30

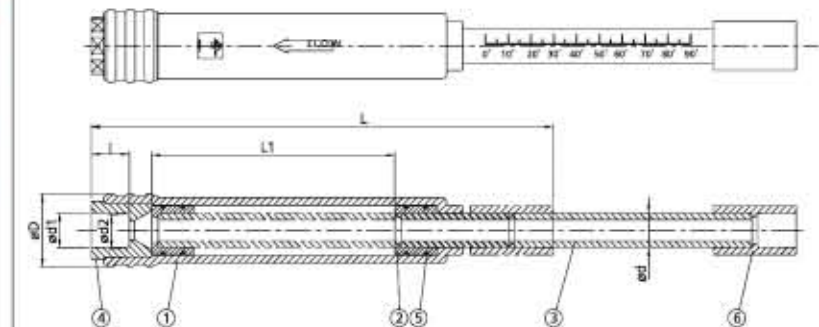
NO.	PART	MATERIAL	QTY
1	BODY 本體	UPVC.CPVC	1
2	SLIDER BLOCK 滑塊	UPVC.CPVC	1
3	FLANGE 法蘭片	UPVC.CPVC	2
4	UNION NUT 螺帽	UPVC.CPVC	1
5	GLAND 卡環	UPVC.CPVC	1
6	O-RING 滑塊O環	EPDM.FPM	3



Socket / Threaded type

Nom.	SIZE	15mm	20mm	25mm	32mm	40mm	50mm
		(1/2")	(3/4")	(1")	(1-1/4")	(1-1/2")	(2")
ANSI	d1	21.54	26.87	33.65	42.42	48.56	60.63
	d2	21.23	26.57	33.27	42.04	48.11	60.17
	I	24	27.4	30.58	34.75	37.93	41.1
D		46	54	64	76	76	89
d		21.3	26.7	33.4	42.2	48.3	60.3
L		290	305	320	343	350	369
L1		150	150	150	150	150	150

NO.	PART	MATERIAL	QTY
1	BODY 本體	UPVC.CPVC	1
2	SLIDER BLOCK 滑塊	UPVC.CPVC	1
3	PIPE 管	UPVC.CPVC	1
4	REDUCING BUSHING 異徑接頭	UPVC.CPVC	1
5	O-RING 滑塊O環	EPDM.FPM	2-3
6	COUPLING 直接頭	UPVC.CPVC	1



VP-240 Unions 由令

- Suitable for any kind of piping system and easy to be installed.
- 拆裝容易可適用於各種規格之管路

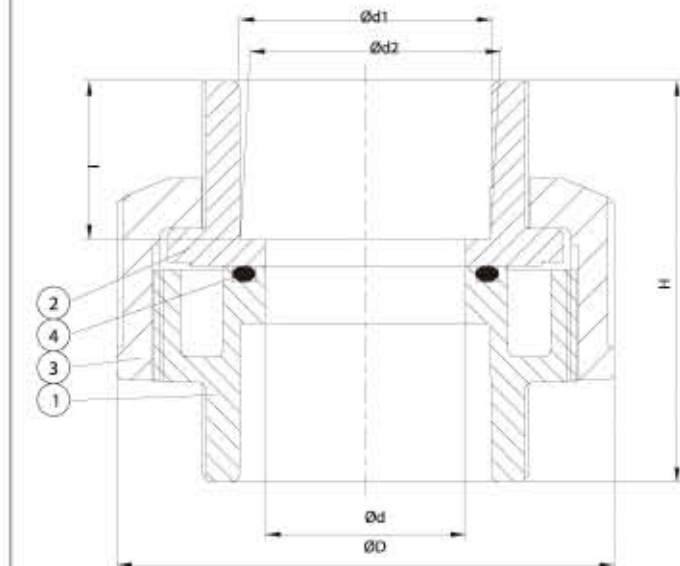
Type 品號	Size 尺寸	Standard 規格	Material 材質	O-ring O環	End type 接口
VP-240	3/8"~4"	ANSI, JIS, DIN, BS	PVC	EPDM, FPM	Socket, Threaded
VP-241	3/8"~4"	ANSI, JIS, DIN, BS	CPVC	EPDM, FPM	Socket, Threaded
VP-243	3/8"~4"	ANSI, JIS, DIN, BS	PVDF	EPDM, FPM	Socket, Threaded
VP-244	3/8"~4"	ANSI, JIS, DIN, BS	PP	EPDM, FPM	Socket, Threaded

Nom.	SIZE	10mm (3/8")	15mm (1/2")	20mm (3/4")	25mm (1")	32mm (1-1/4")	40mm (1-1/2")	50mm (2")	65mm (2-1/2")	80mm (3")	100mm (4")
	JIS	d1	18.4	22.3	26.3	32.33	38.43	48.46	60.56	76.6	89.6
	d2	17.78	21.70	25.70	31.67	37.57	47.54	59.44	75.87	88.83	113.77
	l	19.05	22.2	25.4	28.6	31.8	34.9	38.1	44.45	47.63	69
ANSI	d1	17.45	21.54	26.87	33.65	42.42	48.56	60.63	73.38	88.31	114.78
	d2	17.04	21.23	26.57	33.27	42.04	48.11	60.17	72.85	88.7	114.73
	l	SCH80	19.05	22.22	25.4	28.58	31.75	34.93	38.1	44.45	47.63
DIN	d1	16.3	20.3	25.3	32.3	40.3	50.3	63.3	75.35	90.5	110.6
	d2	15.9	19.9	24.9	31.9	39.9	49.9	62.9	74.9	89.9	109.9
	l	14	16	19	22	26	31	38	44	51	61
BS	d1	17.5	21.7	27.15	33.95	42.65	48.65	60.75	75.75	89.35	114.95
	d2	16.8	21	26.35	33.15	41.85	47.85	59.95	74.95	88.45	113.65
	l	19.05	22.22	25.4	28.58	31.75	34.93	38.1	44.45	47.63	69
thd./in.	NPT	18	14	14	11.5	11.5	11.5	11.5	8	8	8
	BSPT	19	14	14	11	11	11	11	11	11	11
	D	38	46.5	55	66	82	98	120	140	163	225
	d	12	13.5	16.5	22	30	38	48	63	75	100
	H	48	56	64	72	87	90	98	114	127	162

NO.	PART	MATERIAL	QTY
1	BODY 本體	UPVC, CPVC, PP, PVDF	1
2	END CONNECTOR 外特普	UPVC, CPVC, PP, PVDF	1
3	UNION NUT 螺帽	UPVC, CPVC, PP, PVDF	1
4	O-RING 本體O環	EPDM, FPM	1

CTS DIM

SIZE	15mm (1/2")	20mm (3/4")	25mm (1")	32mm (1-1/4")	40mm (1-1/2")
d1	16.08	22.45	28.83	35.20	41.66
d2	15.72	22.10	28.47	34.85	41.20
l	19.50	20.70	26.20	28.80	26.80
D	38	46.5	55	66	82
d	12.5	18.5	24.5	29	35
H	48	56	64	72	87



VP-240 (SCH.40)

Unions 由令

- Suitable for any kind of piping system and easy to be installed.
- 拆裝容易可適用於SCH.40之管路

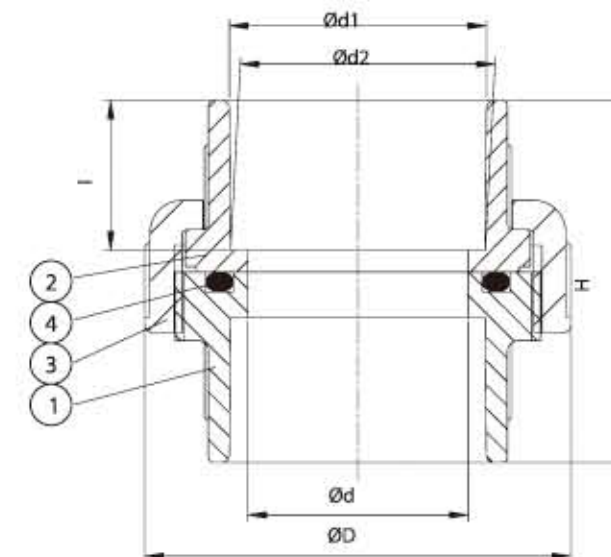
Type 品號	Size 尺寸	Standard 規格	Material 材質	O-ring O環	End type 接口
VP-240	1/2"~2"	ANSI	PVC	EPDM, FPM	Socket, Threaded
VP-241	1/2"~2"	ANSI	CPVC	EPDM, FPM	Socket, Threaded



SCH.40

Nom.	SIZE	15mm (1/2")	20mm (3/4")	25mm (1")	32mm (1-1/4")	40mm (1-1/2")	50mm (2")
d1		21.54	26.87	33.65	42.42	48.56	60.63
d2		21.23	26.57	33.27	42.04	48.11	60.17
l		17.8	18.7	24.3	24.3	28.3	29.9
D		41	47.5	58	70	80.5	94
d		15.5	20.5	25	34	42	51
H		44	46	59	60	69	73.5

NO.	PART	MATERIAL	QTY
1	BODY 本體	UPVC, CPVC	1
2	END CONNECTOR 外特管	UPVC, CPVC	1
3	UNION NUT 螺帽	UPVC, CPVC	1
4	O-RING 本體O環	EPDM, FPM	1



VP-250 .260. 270 盲法蘭 / 單片 / 二片式法蘭

Blind Flanges / One-piece (TS) Flanges / Two-piece (Van Stone) Flanges

● Specification: JIS 10K / ANSI 150 LBS / DIN PN10 @73.4°F(23°C), Gasket type

● 規格：JIS 10K / ANSI 150LBS / DIN PN10 @73.4°F(23°C), 適用墊片接合型式

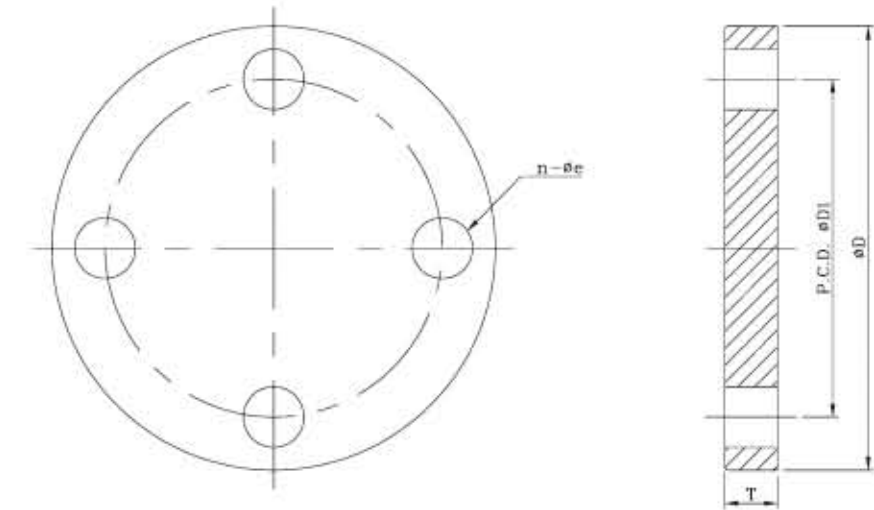
Type 品號	Size 尺寸	Standard 規格	Material 材質	End type 接口
VP-250	1/2"~12"	ANSI, JIS, DIN	PVC	Flanged
VP-251	1/2"~12"	ANSI, JIS, DIN	CPVC	Flanged
VP-260	1/2"~12"	ANSI, JIS, DIN	PVC	Socket, Threaded / Flanged
VP-261	1/2"~12"	ANSI, JIS, DIN	CPVC	Socket, Threaded / Flanged
VP-270	1/2"~24"	ANSI	PVC	Socket, Threaded / Flanged
VP-271	1/2"~24"	ANSI	CPVC	Socket, Threaded / Flanged

BLIND FLANGE

Nom.	SIZE	15mm (1/2")	20mm (3/4")	25mm (1")	32mm (1-1/4")	40mm (1-1/2")	50mm (2")	65mm (2-1/2")	80mm (3")	100mm (4")	125mm (5")	150mm (6")	200mm (8")	250mm (10")	300mm (12")
ANSI	D	89	98	108	117	127	152	178	191	229	254	284	343	406	481
	D1	61	70	79	89	98	121	140	152	191	216	241	299	362	432
	T	12	13	14	16	17.5	19	22	24	24	28	26	28	32	33
	n-øe	4-ø16	4-ø16	4-ø16	4-ø16	4-ø16	4-ø19	4-ø19	4-ø19	8-ø19	8-ø23	8-ø23	8-ø23	12-ø25	12-ø25
JIS	D	95	100	125	135	140	155	175	185	210	250	280	330	400	445
	D1	70	75	90	100	105	120	140	150	175	210	240	290	355	400
	T	14	16	16	18	18	20	22	22	22	24	26	28	30	30
	n-øe	4-ø15	4-ø15	4-ø19	4-ø19	4-ø19	4-ø19	4-ø19	8-ø19	8-ø19	8-ø23	8-ø23	12-ø23	12-ø25	16-ø25



● BLIND FLANGE



ANSI 150PSI FLANGE (one piece)

SIZE Nom.	15mm (1/2")	20mm (3/4")	25mm (1")	32mm (1-1/4")	40mm (1-1/2")	50mm (2")	65mm (2-1/2")	80mm (3")	100mm (4")	125mm (5")	150mm (6")	200mm (8")	250mm (10")	300mm (12")
D	89	98	108	117	127	152	178	191	229	254	280	342	405	480
D1	61	70	79	89	98	121	140	152	191	216	241	299	362	432
D2	33	40	48	57	65	78	92	109	139	167	186	255	291	343
d	15	25	31	40	46	57.5	70	78	111.5	136	166	209	246	296
d1	21.54	26.87	33.65	42.42	48.56	60.63	73.38	89.31	114.76	141.81	168.83	219.84	273.81	324.61
d2	21.23	26.57	33.27	42.04	48.11	60.17	72.85	88.7	114.07	141	168	218.7	272.67	323.47
H	25	29	31.7	35	38	41.3	47.6	50.8	61	82.5	142	131	170	173
T	11	12	14	16	17.5	19	22	23.5	24	28.5	25.5	28	31	33
l	22.22	25.4	28.58	31.75	34.93	38.1	44.45	47.63	57.15	66.7	76.2	102	123	165
n-øe	4-ø16	4-ø16	4-ø16	4-ø16	4-ø16	4-ø19	4-ø19	4-ø19	8-ø19	8-ø23	8-ø23	8-ø23	12-ø25	12-ø25

註 : Socket diameters conform to ASTM D2467/ F439 Sch80 standard.

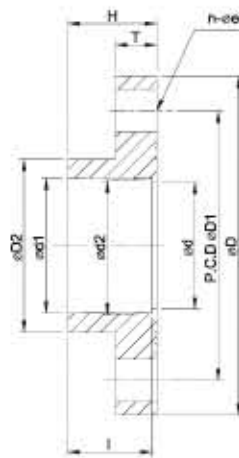
JIS 10K

SIZE Nom.	10mm (3/8")	15mm (1/2")	20mm (3/4")	25mm (1")	32mm (1-1/4")	40mm (1-1/2")	50mm (2")	65mm (2-1/2")	80mm (3")	100mm (4")	125mm (5")	150mm (6")	200mm (8")	250mm (10")	300mm (12")
D	90	95	100	125	135	140	155	175	185	210	250	280	330	400	445
D1	65	70	75	90	100	105	120	140	150	175	210	240	290	355	400
D2	26	31	35	42.5	48.5	61	73	90	105	132	158	186	238	289	341
d	15	18	22	25	30	41	52	67	78	100	125	146	196	247	298
d1	18.4	22.4	26.45	32.55	38.6	48.70	60.80	76.60	89.60	114.7	140.8	166.0	217.5	267.7	318.7
H	30	35	40	46	50.5	61.5	71	70	73	93	114	142	161	167	167
T	14	14	15	15	16	16	20	22	22	24	26	28	30	30	30
l	26	30	35	40	44	55	63	61	64	84	104	132	145	155	155
n-øe	4-ø15	4-ø15	4-ø15	4-ø19	4-ø19	4-ø19	4-ø19	4-ø19	8-ø19	8-ø19	8-ø23	8-ø23	12-ø23	12-ø25	16-ø25
1/T	1/30	1/34	1/34	1/34	1/34	1/37	1/37	1/48	1/49	1/56	1/58	1/63	1/50	1/55	1/55

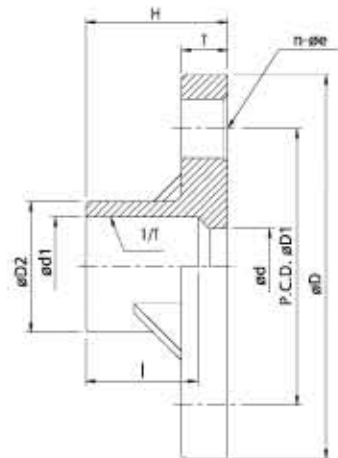
DIN PN10

SIZE Nom.	DN15 (1/2")	DN20 (3/4")	DN25 (1")	DN32 (1-1/4")	DN40 (1-1/2")	DN50 (2")	DN65 (2-1/2")	DN80 (3")	DN100 (4")	DN125 (5")	DN150 (6")	DN200 (8")	DN250 (10")	DN300 (12")
D	95	105	115	140	150	164	185	200	220	254	280	340	396	445
D1	65	75	85	100	110	125	145	160	180	210	240	295	350	400
D2	28	33	41	50	61	76	90	108	131	167	186	255	290	362
d	16	21	28	36	45	57	69.5	82	103	136	146.5	215	240	303
d1	20.3	25.3	32.3	40.3	50.3	63.3	75.35	90.5	110.6	140.85	160.85	226.25	251.45	316.85
d2	19.9	24.9	31.9	39.9	49.9	62.9	74.9	89.9	109.9	140.05	160.05	225.05	250.05	315.05
H	24	21.5	24.5	28	33.5	41	46	55	65	82.5	141.5	131	149	182
T	12	14	14	14	16	16	16	18	18	28.5	25.5	28	31	33
l	21	19	22	26	31	38	43.5	50.5	60.5	77	132	119	131	164
n-øe	4-ø14	4-ø14	4-ø14	4-ø18	4-ø18	4-ø18	4-ø18	8-ø18	8-ø18	8-ø23	8-ø23	8-ø23	12-ø23	12-ø23

●ANSI 150PSI FLANGE /DIN PN10



●JIS 10K FLANGE

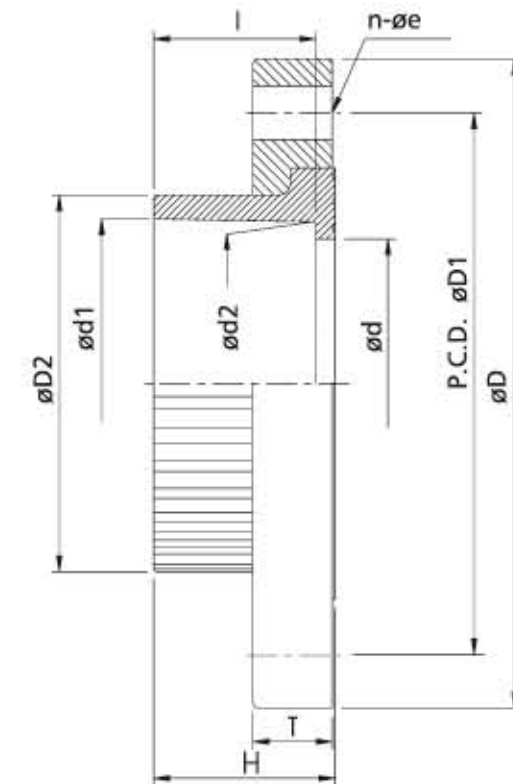


ANSI 150 PSI FLANGE (Van Stone)

SIZE Nom.	15mm (1/2")	20mm (3/4")	25mm (1")	32mm (1-1/4")	40mm (1-1/2")	50mm (2")	65mm (2-1/2")	80mm (3")	100mm (4")	125mm (5")	150mm (6")	200mm (8")	250mm (10")	300mm (12")	350mm (14")	400mm (16")	450mm (18")	500mm (20")	600mm (24")
D	89	98	108	117	128	152	178	192	229	254	283	343	406	481	533	600	636	699	813
D1	61	70	79	89	98	121	140	152	191	216	241	299	362	432	476	540	578	635	749
D2	31	37	44.5	54	64.5	76	92	109	133	167	192	236	296	348	395	452	507	564	675
d	12.5	16.5	22	29	37.8	51	68	77	102	136	156	204	256	307	340	384	430	481	590
d1	21.54	26.87	33.65	42.42	48.56	60.63	73.38	89.31	114.76	141.81	168.83	219.84	273.81	324.61	356.49	407.54	458.6	509.65	611.52
d2	21.23	26.57	33.27	42.04	48.11	60.17	72.85	88.7	114.07	141	168	218.7	272.67	323.47	355.22	405.89	456.69	507.49	608.84
H	26	30	34.5	39.5	39.5	43	49	54	64	72.5	85	118	150	191	195	220	280	310	346
T	11	12	14	16	18	20	24	26	28	28.5	32	36	42	42	50.8	60	62	63	72
l	22.22	25.4	28.58	31.75	34.93	38.1	44.45	47.63	57.15	66.7	76.2	102	123	165	189	204	254	280	305
n-øe	4-ø16	4-ø16	4-ø16	4-ø16	4-ø16	4-ø19	4-ø19	4-ø19	8-ø19	8-ø23	8-ø23	8-ø23	12-ø25	12-ø25	12-ø29	16-ø29	16-ø32	20-ø32	20-ø35

註 : Socket diameters conform to ASTM D2467/ F439 Sch80 standard.

●ANSI 150 PSI FLANGE (Van Stone)



VP-289 橡膠墊片 Rubber Gaskets

● Material : EPDM, NBR, FPM

● 材質 : EPDM, NBR, FPM

Type 品號	Size 尺寸	Standard 規格	Material 材質
VP-289	1/2"~12"	ANSI, JIS, DIN	EPDM, NBR, FPM



JIS 10K

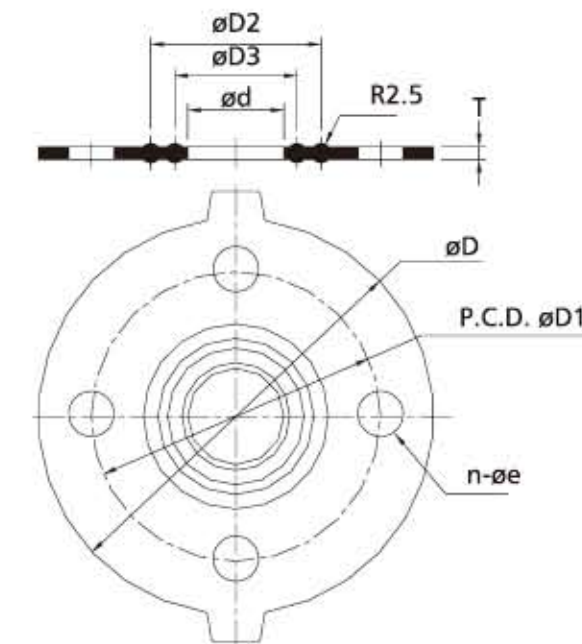
SIZE Nom.	15mm (1/2")	20mm (3/4")	25mm (1")	32mm (1-1/4")	40mm (1-1/2")	50mm (2")	65mm (2-1/2")	80mm (3")	100mm (4")	125mm (5")	150mm (6")	200mm (8")	250mm (10")	300mm (12")	350mm (14")	400mm (16")
D	93	98	123	133	138	153	173	183	208	248	278	328	398	443	485	560
D1	70	75	90	100	105	120	140	150	175	210	240	290	355	400	445	510
D2	41	47	53	65	69	83	101	112	138	166	190	247	306	352	405	482
D3	26	32	38	50	54	68	86	98	120	145	168	216	270	324	380	452
d	18	22	30	37	43	54	69	80	102	127	150	198	249	300	350	400
n-øe	4-ø15	4-ø15	4-ø19	4-ø19	4-ø19	4-ø19	4-ø19	8-ø19	8-ø19	8-ø23	8-ø23	12-ø23	12-ø25	16-ø25	16-ø25	16-ø27
T	3	3	3	3	3	3	3	3	3	3	3	3	3	3	3	3

ANSI 150 PSI

SIZE Nom.	15mm (1/2")	20mm (3/4")	25mm (1")	32mm (1-1/4")	40mm (1-1/2")	50mm (2")	65mm (2-1/2")	80mm (3")	100mm (4")	125mm (5")	150mm (6")	200mm (8")	250mm (10")	300mm (12")	350mm (14")	400mm (16")	450mm (18")	500mm (20")	600mm (24")
D	86.36	96.52	106.68	114.30	124.40	149.86	175.20	187.96	226.06	251.46	276.86	340.36	403.86	480.06	530	595	630	692	800
D1	61	70	79	89	98	121	140	152	191	216	241	299	362	432	476	540	578	635	749
D2	40.64	48.26	53.34	66.04	68.55	83.82	101.60	111.76	137.16	165.10	190.50	246.38	307.34	356.06	405	482	510	566	674
D3	25.40	33.02	38.10	50.80	53.34	68.58	86.36	99.06	119.38	144.78	167.64	215.90	269.24	325.20	380	452	472	535	644
d	17.78	22.86	30.48	38.10	43.18	53.34	68.58	81.28	101.60	127.00	148.86	198.12	248.92	299.72	350	400	450	500	600
n-øe	4-ø16	4-ø16	4-ø16	4-ø16	4-ø16	4-ø19	4-ø19	4-ø19	8-ø19	8-ø23	8-ø23	8-ø23	12-ø25	12-ø25	12-ø29	16-ø29	16-ø32	20-ø32	20-ø35
T	3	3	3	3	3	3	3	3	3	3	3	3	3	3	3	3	5	5	5

DIN PN 10

SIZE Nom.	15mm (1/2")	20mm (3/4")	25mm (1")	32mm (1-1/4")	40mm (1-1/2")	50mm (2")	65mm (2-1/2")	80mm (3")	100mm (4")	125mm (5")	150mm (6")	200mm (8")	250mm (10")	300mm (12")
D	93	103	113	133	148	163	183	198	218	248	283	338	393	443
D1	65	75	85	100	110	125	145	160	180	210	240	295	350	400
D2	41	47	53	65	69	83	101	112	138	166	190	247	306	352
D3	26	32	38	50	54	68	86	98	120	145	168	216	270	324
d	18	22	30	37	43	54	69	80	102	127	150	198	249	300
n-øe	4-ø14	4-ø14	4-ø14	4-ø18	4-ø18	4-ø18	4-ø18	8-ø18	8-ø18	8-ø18	8-ø22	8-ø22	12-ø22	12-ø22
T	3	3	3	3	3	3	3	3	3	3	3	3	3	3



VP 伸縮接頭

Expansion Repair Coupling

- Excellent for use in repairing broken lines or when adding additional lines or fittings. Simply cut out section of broken pipe, slightly longer than expansion repair coupling, apply glue to expansion repair coupling to fill the gap.
- Available in 1/2"~2" Sizes
- PVC SCH. 40 Type 1 Grade 1
- IPS Spigot * IPS Socket
- Internal self-lubricating EPDM o-ring for long life and smooth movement.
- Complies with ASTM and ANSI standards.
- 適用於修復破裂的管路或新增管路、管件。只需將破裂的管路截斷，截斷的長度需比縮短的伸縮接頭長度長一些。之後在伸縮接頭塗上膠水，並將之與管路連接。
- 尺寸：1/2"~2"
- 原料：PVC TYPE 1 GRADE 1, SCH.40
- 伸縮接頭內部的EPDM O 環有自動潤滑作用，有助於延長使用年限與伸縮自如。
- 符合相關之 ASTM 和 ANSI 規範

Type 品號	Size 尺寸	Standard 規格	Material 材質	O-ring O環	End type 接口
Fittings	1/2"~2"	sch.40	PVC	EPDM	Socket

SIZE Nom.	15mm (1/2")	20mm (3/4")	25mm (1")	32mm (1-1/4")	40mm (1-1/2")	50mm (2")
øD	46.1	51.5	63.3	73.7	80.5	92.6
øD1	21.34	26.67	33.4	42.16	42.26	60.32
l	20.5	27.4	31	34	35.5	37
L	171	192	223	248.5	249	286.5
L1	219.5	249.5	287.5	317	323.5	364.3
L2	20.5	26	28.6	31.8	33.4	34.5
ød1	21.54	26.87	33.65	42.42	48.56	60.63
ød2	21.23	26.57	33.27	42.04	48.1	60.17

NO.	PART	MATERIAL	QTY
1	BODY 本體	UPVC	1
2	SLIDER 滑塊	UPVC	1
3	UNION NUT 螺帽	UPVC	1
4	O-RING 滑塊O環	EPDM	1
5	O-RING 本體O環	EPDM	2

